

### NOZZLE INDEX

Conn.	Size	Type	DIN
N1	TC40	Inlet	DIN32676-DIN
N2	TC40	Outlet	DIN32676-DIN
N3	Rp 1/4	Vent	DIN 2999
N4	R 1 1/2	Drain	DIN 2982

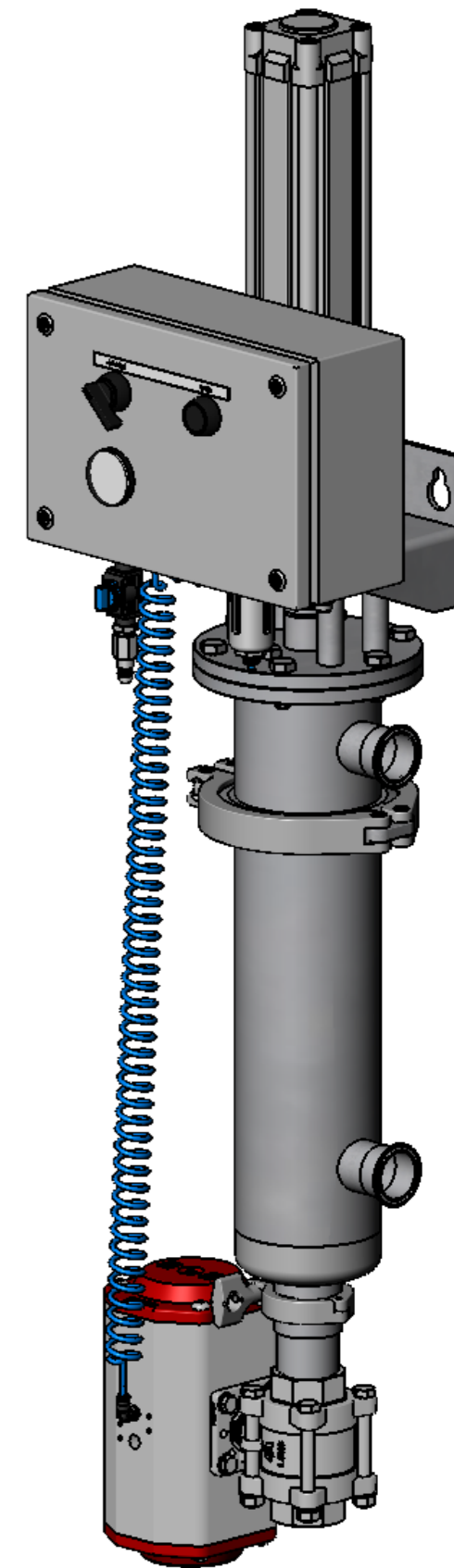
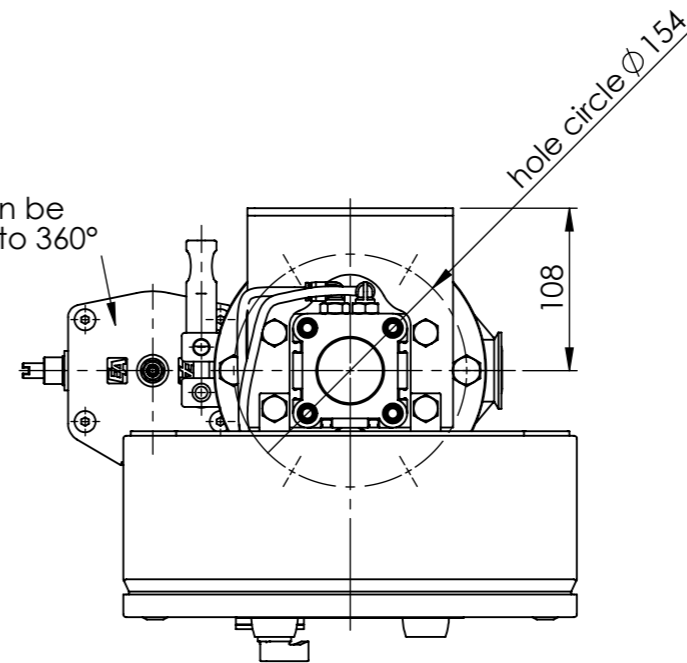
### SPECIFICATION


air supply	4-6 bar
Max. allow. pressure	10 bar
Max. allow. temperature	-10/+80°C
Flow rate at 100µm with water	3,8 m³/h
Material housing	1.4301
Material wedge wire	1.4301
Material gasket	FPM / PTFE
Material wiping ring	PTFE
Control	pneumatical
Volume	4.5 l
Weight	14.5 kg

also available with the following micron rates:

**50, 200, 300, 400µm**

the drain valve can be mounted at 0° up to 360°



Date	23.10.2013	Name	Leekes	Type	<i>acura</i> Strainline FMC-FB-03-10/TC40-A2 100µm	
Work.						
Proof.						
Norm						
					Article No.	9210122100
Am Weinkastell 14 D-55270 Klein-Winternheim					acc. drawing: 10-1365 Rev.1	repl. for: