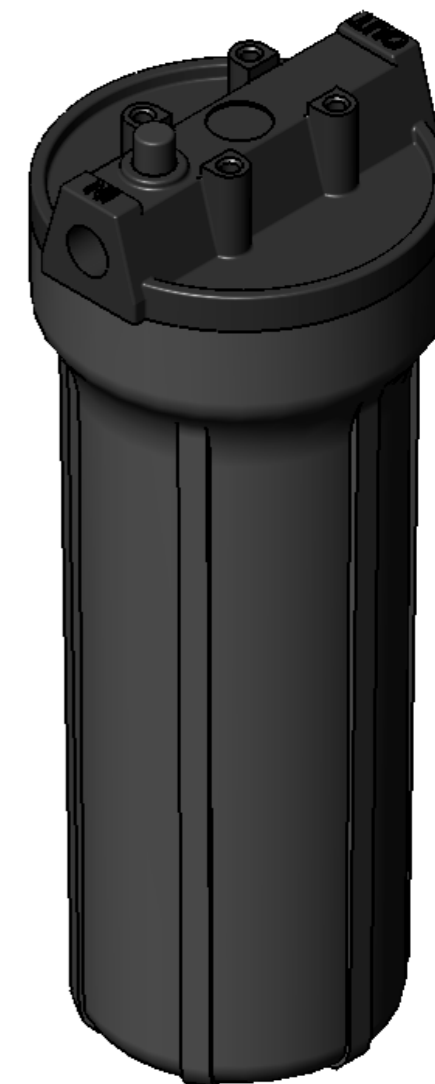
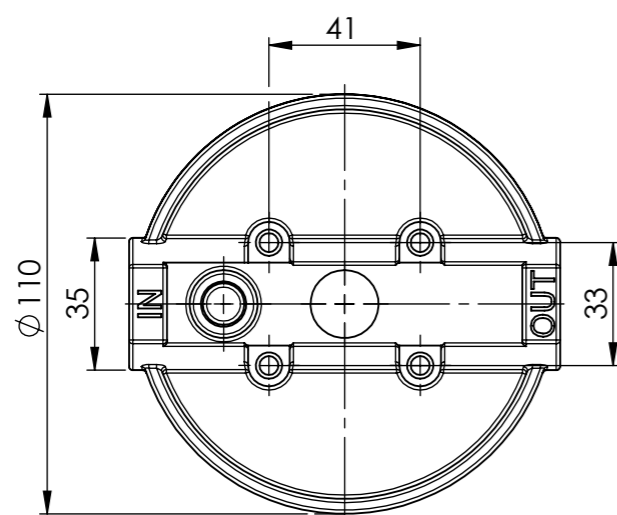



NOZZLE INDEX

Connection	Size	Type	DIN
N1	Rp 1/2	Inlet	DIN 2999
N2	Rp 1/2	Outlet	DIN 2999
N3		Vent button	

SPECIFICATION

Max. allow. pressure	8,5 bar
Max. allow. temperature	50°C
Volume	1,3 l
Material filter head	PP
Material filter sump	PP
Material gasket	O-ring NBR (Buna)
Cartridge length	248 - 250 mm
Weight	1,5 kg



Date	12.01.2016	Name	Neubauer	Type	FFU Q30-SL-E 1/2"
				Article-No.	2610201215
Am Weinkastell 14 55270 Klein-Winternheim				acc. drawing:	