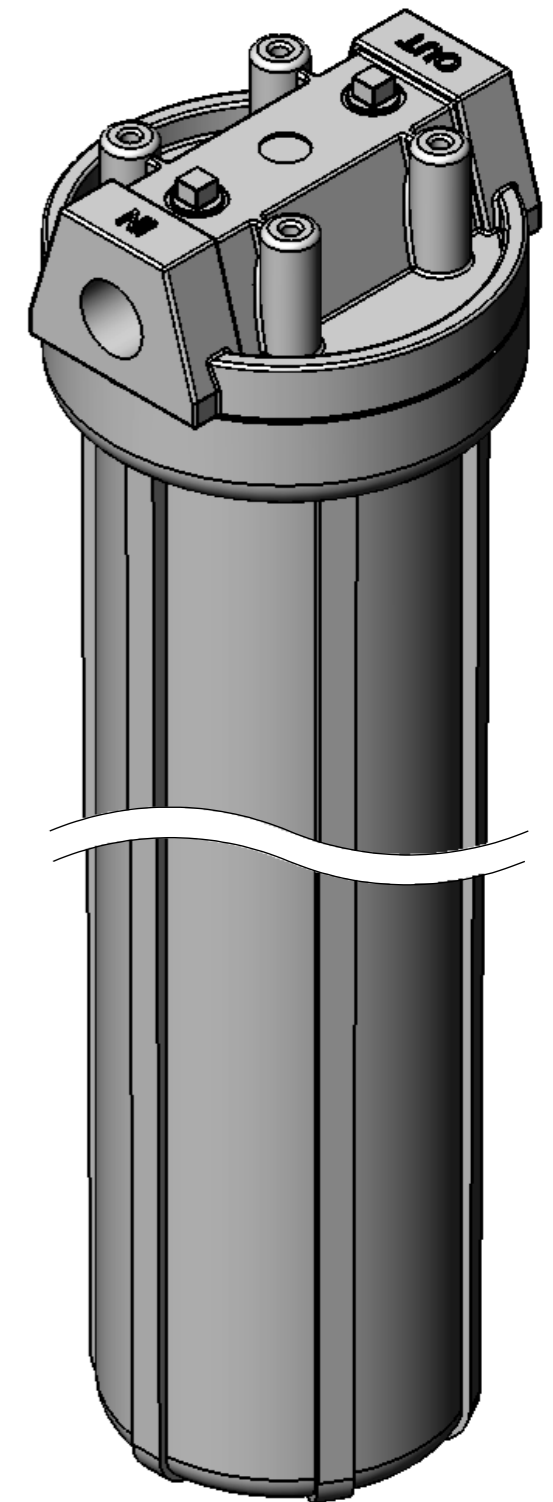


### NOZZLE INDEX

Connection	Size	Type	DIN
N1	Rp 3/4	Inlet	DIN 2999
N2	Rp 3/4	Outlet	DIN 2999
N3	Rp 1/4	Vent	DIN 2999
N4	Rp 1/4	Manometer	DIN 2999
N5	Rp 1/4	Drain	DIN 2999

### SPECIFICATION

Max. allow. pressure	6,9 bar
Max. allow. temperature	38°C
Volume	~3,5 l
Material filter head	PP natural
Material filter sump	PP natural
Material gasket	O-ring Nitril
Cartridge length	20"
Cartridge type	Type "F2"(Code 3)
Weight	~2,0 kg



Date	13.01.2016	Name	Neubauer	Type	FFU N 48-E NATURAL 3/4"
				Article-No.	
				acc. drawing:	


**FUHR** GmbH  
 Am Weinkastell 14  
 55270 Klein-Winternheim