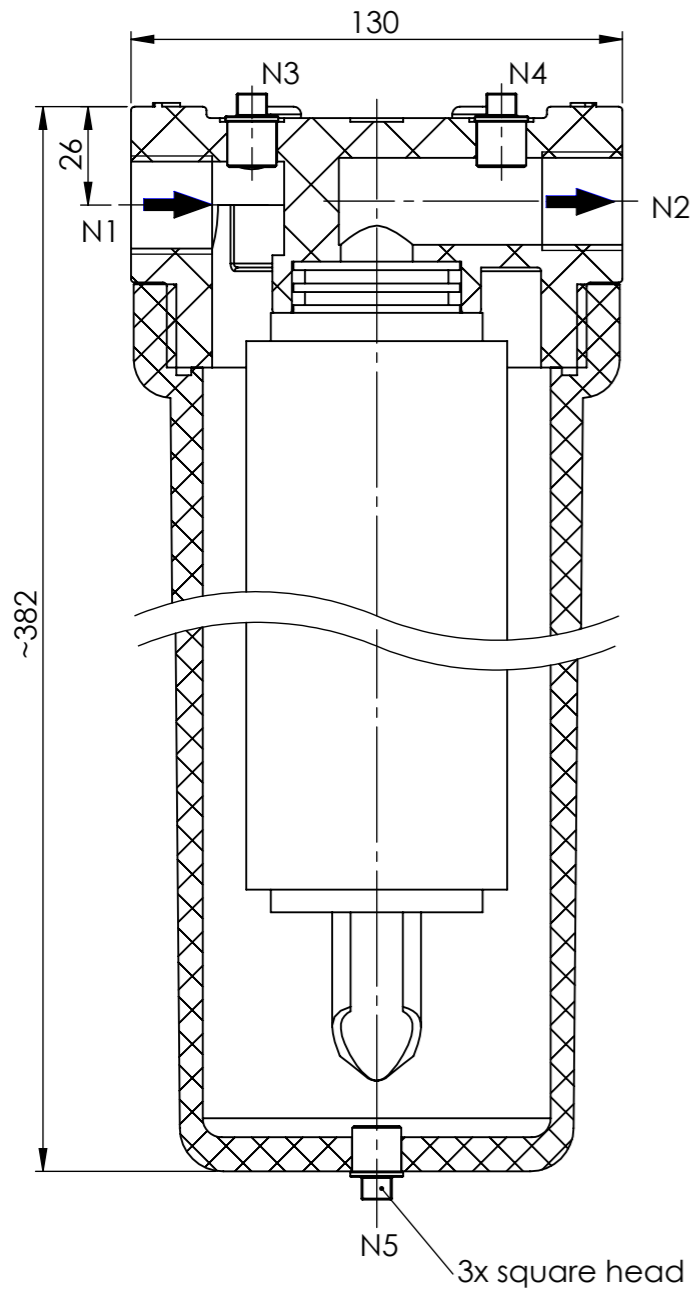
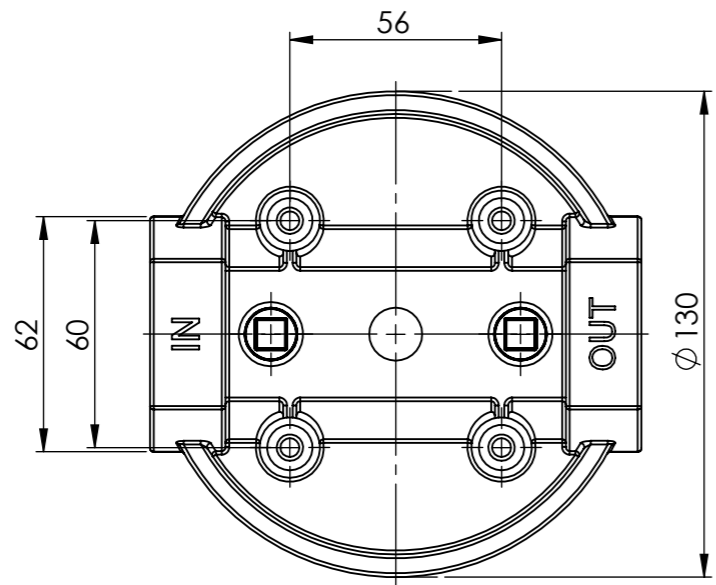
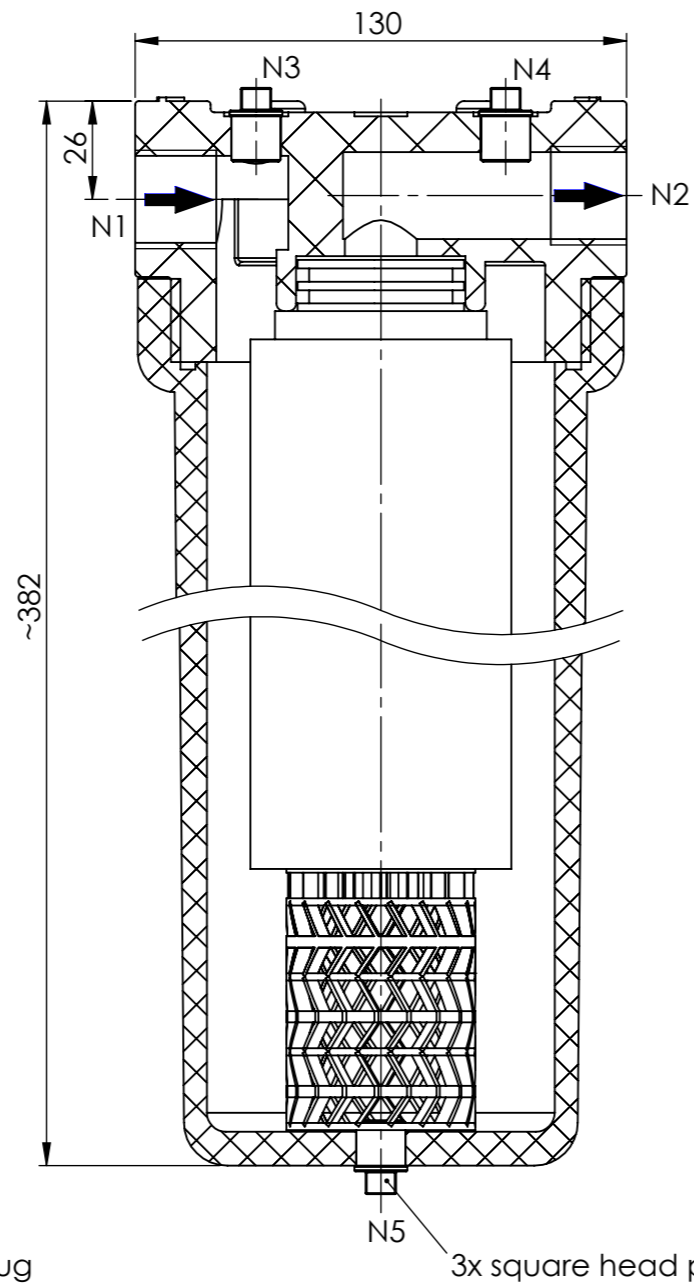


FFU-N39-E with  
adaptor cartridge 222  
with Fin / F3



FFU-N39-E with  
adaptor cartridge 22  
without Fin / F2



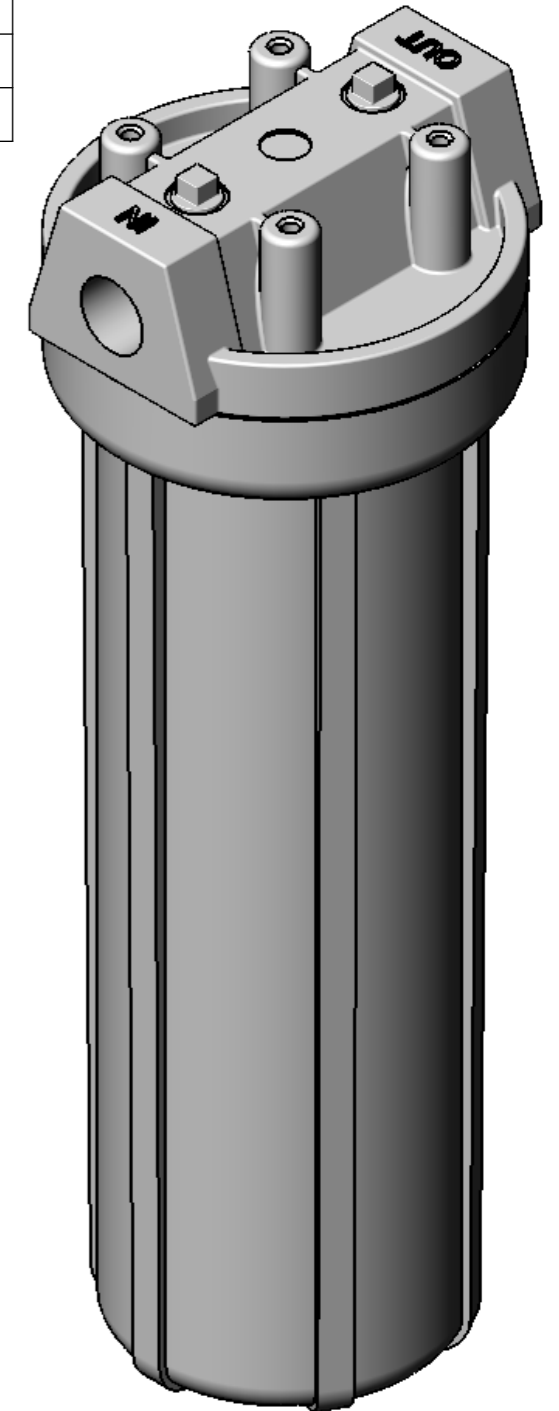
## NOZZLE INDEX

Connection	Size	Type	DIN
N1	Rp 3/4	Inlet	DIN 2999
N2	Rp 3/4	Outlet	DIN 2999
N3	Rp 1/4	Vent	DIN 2999
N4	Rp 1/4	Manometer	DIN 2999
N5	Rp 1/4	Drain	DIN 2999

## SPECIFICATION

Max. allow. pressure	6,9 bar
Max. allow. temperature	38°C
Volume	~1,7 l
Material filter head	PP natural
Material filter sump	PP natural
Material gasket	O-ring Nitril
Cartridge length	10"
Cartridge type	Type "F2" (Code 3)* Type "F3" (Code 8)
Weight	~2,0 kg

\* required distance adapter



Distance adaptor  
Art.no.: 2620410000

Date	13.01.2016	Name	Neubauer	Type	FFU N 39-E NATURAL 3/4"
				Article-No.	
				acc. drawing:	

**FUHR** GmbH  
Am Weinkastell 14  
55270 Klein-Winternheim