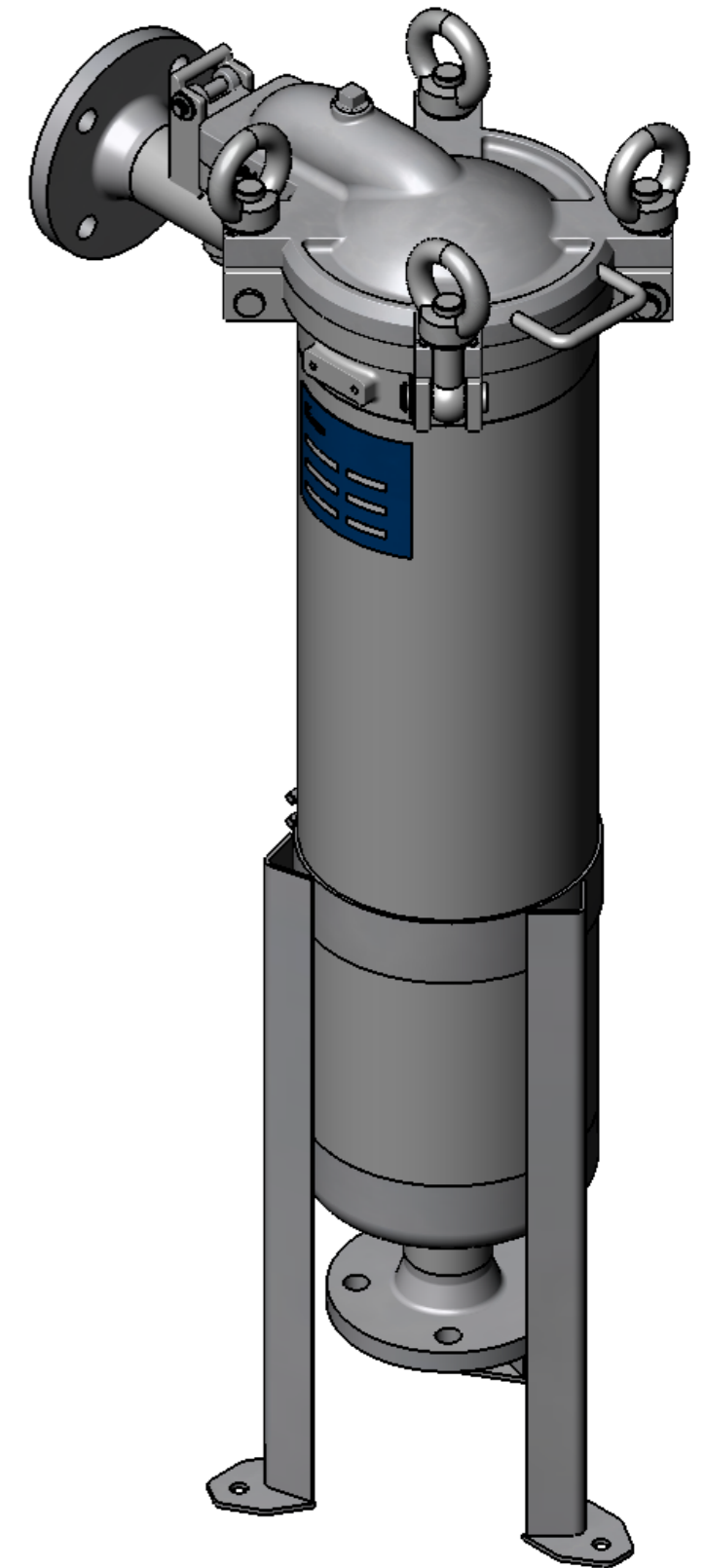



### NOZZLE INDEX

Connection	Size	Type	DIN
N1	DN 50 PN16	Inlet	DIN 2633, C
N2	DN 50 PN16	Outlet	DIN 2633, C
N3	Rp 1/2	Vent	DIN 2999
N4	Rp 1/2	Drain	DIN 2999
N5	Rp 1/2	Differential Pressure Measurement (+)	DIN 2986
N6	Rp 1/4	Differential Pressure Measurement (-)	DIN 2999

### SPECIFICATION

Max. allow. pressure	10 bar
Test pressure	14,3 bar
Max. allow. temperature	-10/+80°C
Volume	28 l
Material housing	AISI 304
Material gasket	O-Ring FPM
Material bolts	Stainless Steel
Weight	42 kg



Date	06.08.2013	Name	Leekes	Type	BFOTS2-10/F50-A2
				Article-No.	
				Associated Drawing:	10-1359 Rev.0