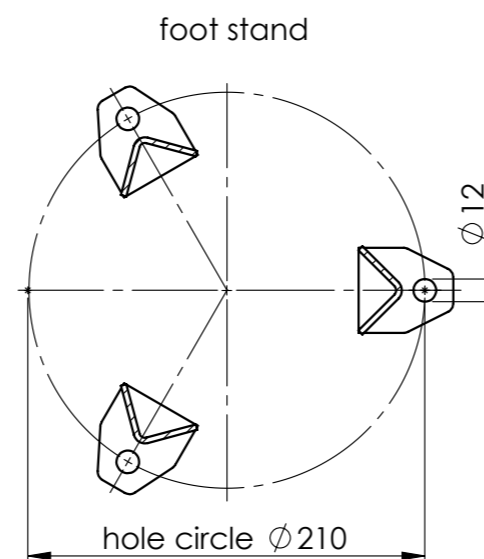
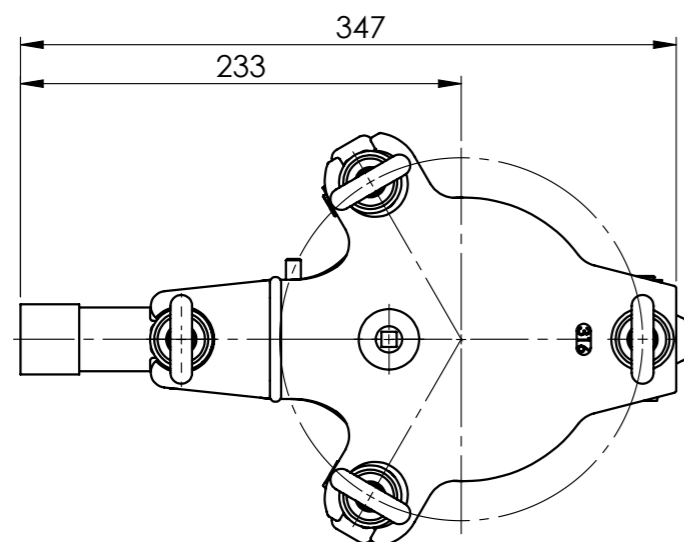
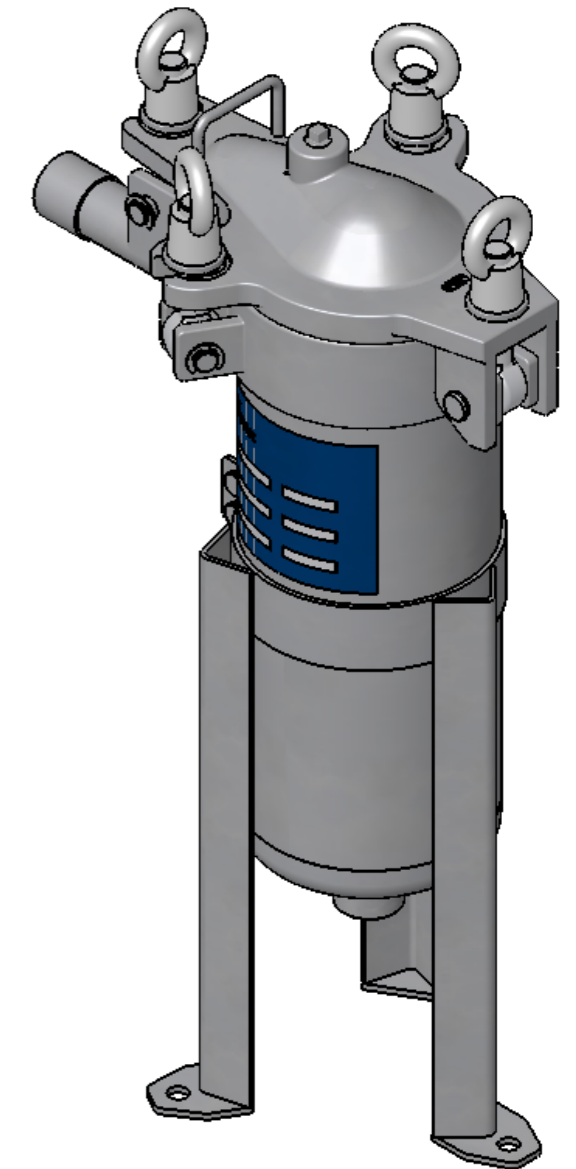



NOZZLE INDEX

Connection	Size	Type	DIN
N1	Rp1	Inlet	DIN 2986
N2	Rp1	Outlet	DIN 2986
N3	Rp 1/4	Vent	DIN 2999

SPECIFICATION

Max. allow. pressure	10 bar
Test Pressure	14,3 bar
Max. allow. temperature	-10/+80°C
Volume	5,2 l
Material Housing	AISI 316
Material Gasket	O-Ring FPM
Material Bolts	Stainless Steel
Weight	10 kg



Date	30.05.2012	Name	Leekes	Type	BFOT4-10/G25
Proof.					
Resp.					
Norm					
				Article-No.	5174421325
Am Weinkastell 14 55270 Klein-Winternheim				acc. drawing:	10-1324 Rev.1
				Repl. for.	