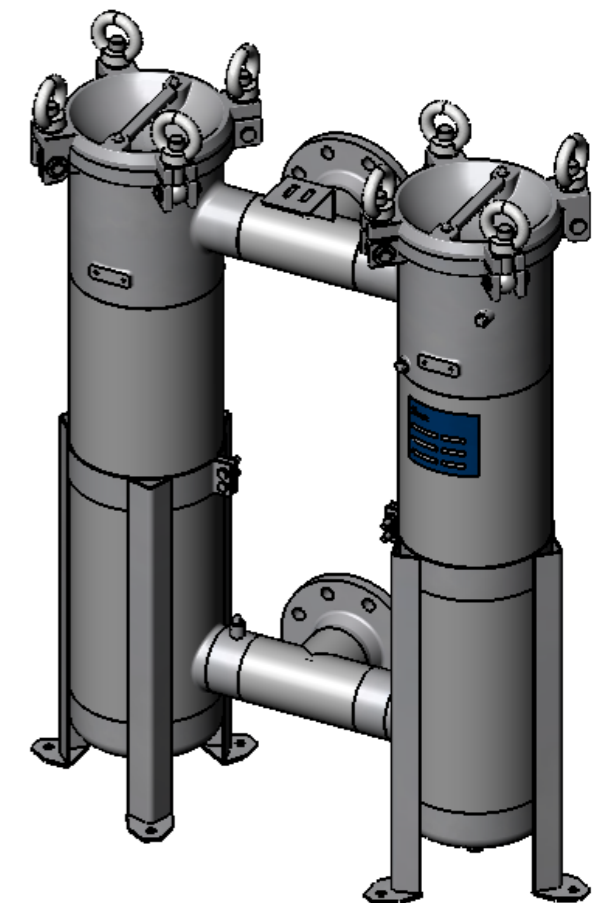


## NOZZLE INDEX

Connection	Size	Type	DIN
N1	DN 80 PN 16	Inlet	DIN 2633, C
N2	DN 80 PN 16	Outlet	DIN 2633, C
N3	Rp 1/4	Vent	DIN 2999
N4	Rp 1/4	Manometer	DIN 2999
N5	Rp 1/2	Drain	DIN 2986
N6	Rp 1/4	Differential Pressure Measurement	DIN 2999
N7	Rp 1/4	Differential Pressure Measurement	DIN 2999

## SPECIFICATION

Max. allow. Pressure	10 bar
Test Pressure	14,3 bar
Max. allow. Temp.	-10/+80°C
Volume	68 l
Material Housing	AISI 304
Material Gasket	O-Ring FPM
Material Bolts	Stainless Steel
Weight	79 kg



Date	14.02.2012	Name	Leekes	Type	2-BFOS2-10/F80-A2
				Article-No.	
				Associated Drawing:	10-1311

**FUHR** GmbH  
 Am Weinkastell 14  
 55270 Klein-Winternheim