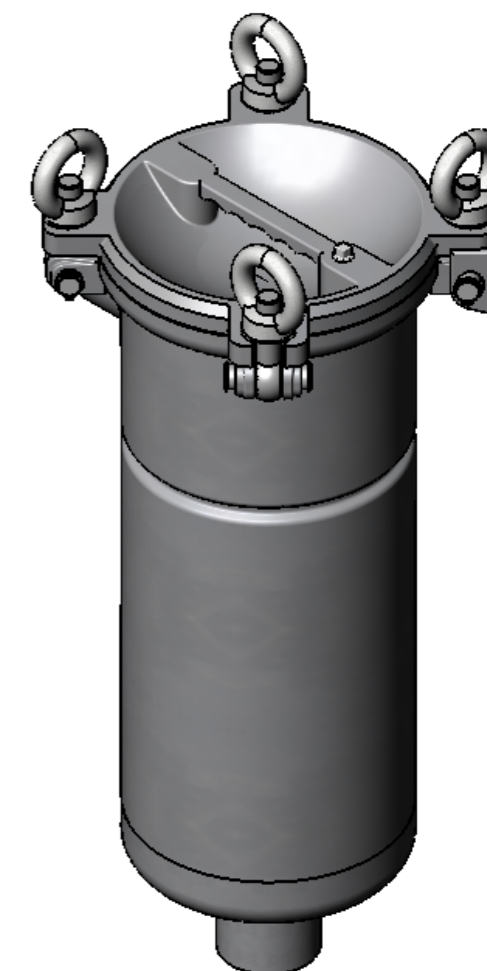



NOZZLE INDEX

Connection	Size	Type	DIN
N1	Rp 2	Inlet	DIN 2999
N2	Rp 2	Outlet	DIN 2999
N3	Rp 1/4	Manometer / Vent	DIN 2999

SPECIFICATION

Max. allow. pressure	10 bar
Test pressure	14,3 bar
Max. allow. temperature	-10/+80°C
Volume	19 l
Material housing	AISI 304
Material main gasket	O-Ring NBR
Material support gasket	Profile gasket NBR
Material bolts	Stainless steel
Weight	18 kg



Date	11.01.2015	Name	Neubauer	Type	ALBF1-10/G50-A2
				Article-No.	5184530500
Am Weinkastell 14 55270 Klein-Winternheim				Associated drawing:	10-1379 Rev.0