

Type AC-PP / AC-PC Polymer Cartridge Filter Housing

Head and sump of housing type AC-PP are made of polypropylene (PP). The sumps of the AC-PC housing are made of transparent styrene-acrylonitrile (SAN). They take on a single cartridge filter with a length of 251 mm and 508 mm. The material is extremely resistant to oxidation than the free acids such as hydrochloric and sulfuric acid concentration up to 70%, as well as to salt solutions, liquid hydrocarbons, alcohols and caustic solutions. Housings with SAN-sumps are used for filtration of water and dilute acids at temperatures below 38 °C.

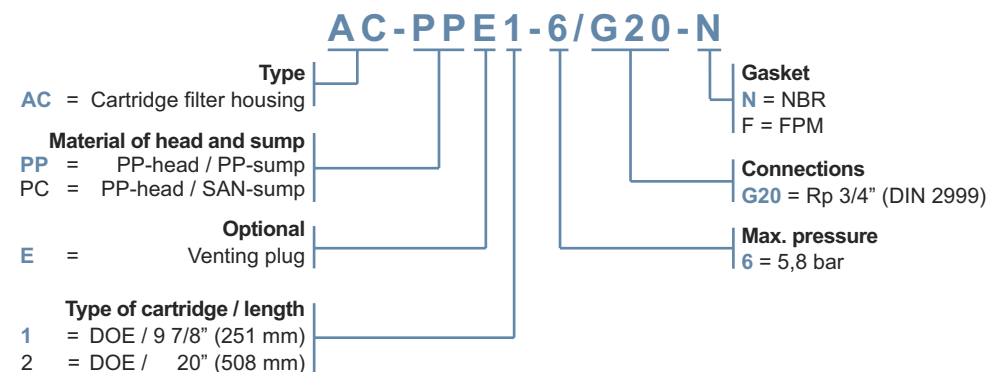
TECHNICAL DATA

AC-PP / AC-PC

	AC-PP1	AC-PC1	AC-PP2	AC-PC2
Max. pressure at 38°C (bar)	5,8	5,8	5,8	5,8
Weight (kg)	0,8	0,8	1,6	1,6
Connections (N1/N2)	Rp 3/4" (DIN 2999 - Internal thread)			
Material head	PP	PP	PP	PP
Material sump	PP	SAN	PP	SAN
Filter cartridge length	251	251	508	508

ORDERING INFORMATION

AC-PP / AC-PC



ACCESSORIES

Opening-wrench



Mounting bracket

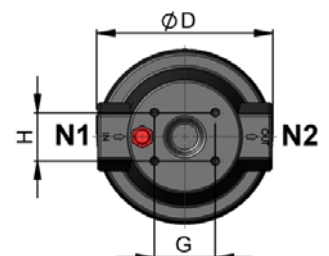
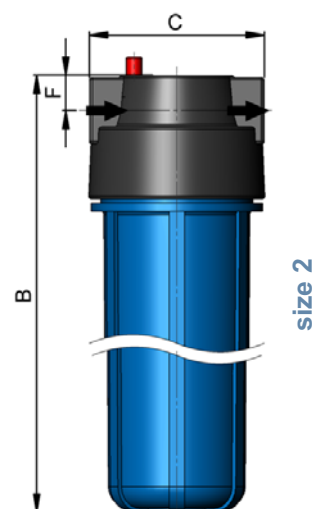
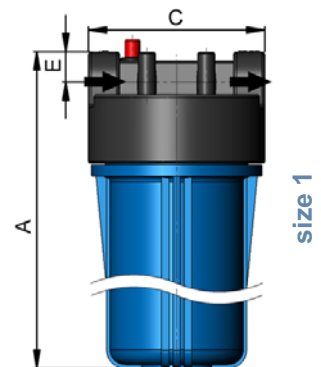
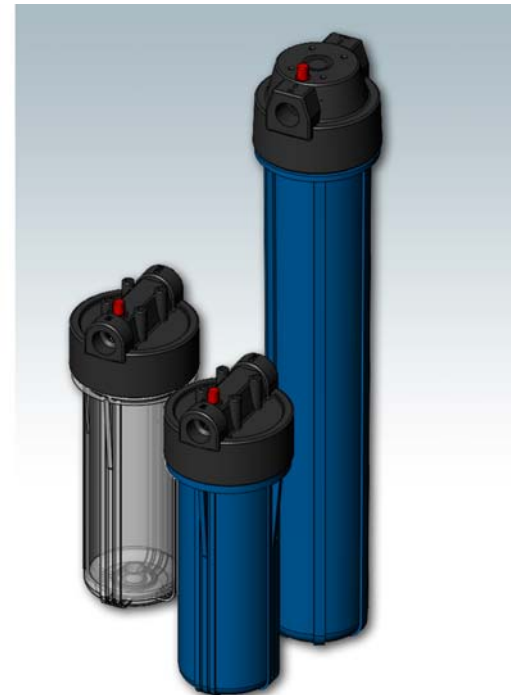
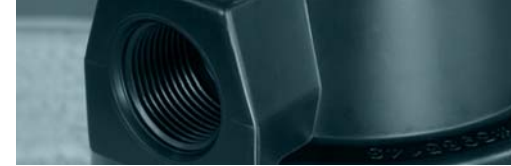


DIMENSIONS

A (mm)	B (mm)	C (mm)	D (mm)	E (mm)	F (mm)	G (mm)	H (mm)
305	585	115	Ø116	20	24	40	32

Subject to technical alterations.
AL1024-00-E

acuraLine®



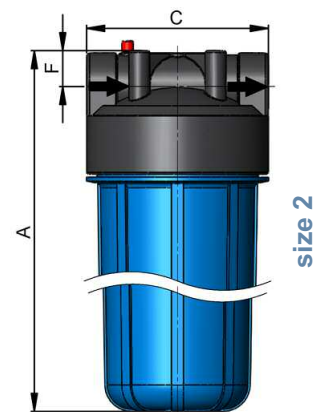
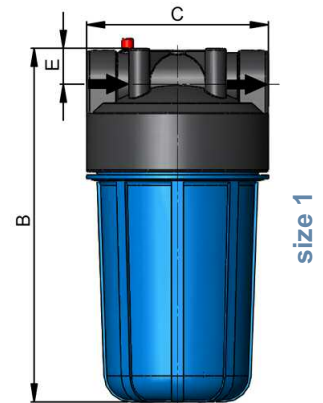
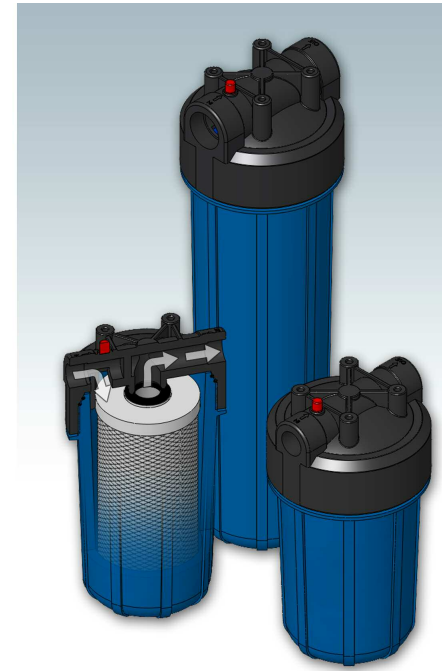
Type ACBB-PP Polymer Cartridge Filter Housing

Head and sump of housing type ACBB-PP are made of polypropylene (PP). They take on a single filter cartridge with an outside diameter of 114 mm and a length of 248 up to 251 mm and 508 mm. The material is extremely resistant to oxidation than the free acids such as hydrochloric and sulfuric acid concentration up to 70%, as well as to salt solutions, liquid hydrocarbons, alcohols and caustic solutions. These housings are used for the filtration of water and dilute acids at temperatures below 38°C.

TECHNICAL DATA

ACBB-PP

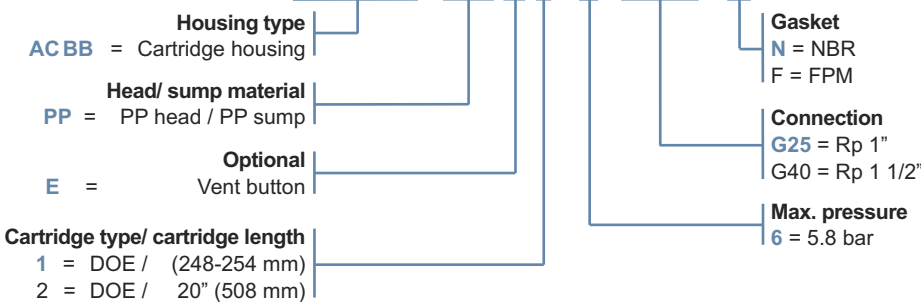
	ACBB-PP1	ACBB-PP2
Max. Pressure at 38°C (bar)	5.8	5.8
Weight (kg)	2.3	4.0
Connection (N1/N2)	Rp 1" o. Rp 1 1/2" (DIN 2999)	
Material filter head	PP	PP
Material filter sump	PP	PP
Cartridge length (mm)	248-254	508



ORDERING INFORMATION

ACBB-PP

ACBB-PPE1-6/G25-N



SPARE PARTS

Opening wrench

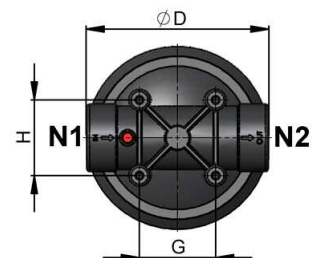


Mounting bracket



DIMENSIONS

	A (mm)	B (mm)	C (mm)	D (mm)	E (mm)	F (mm)	G (mm)	H (mm)
Housing with G25 (1")	601	339	182	183	29	29	76	76
Housing with G40 (1 1/2")	617	355	182	183	36	36	76	76



Subject to technical alterations.
AL1058-00-E