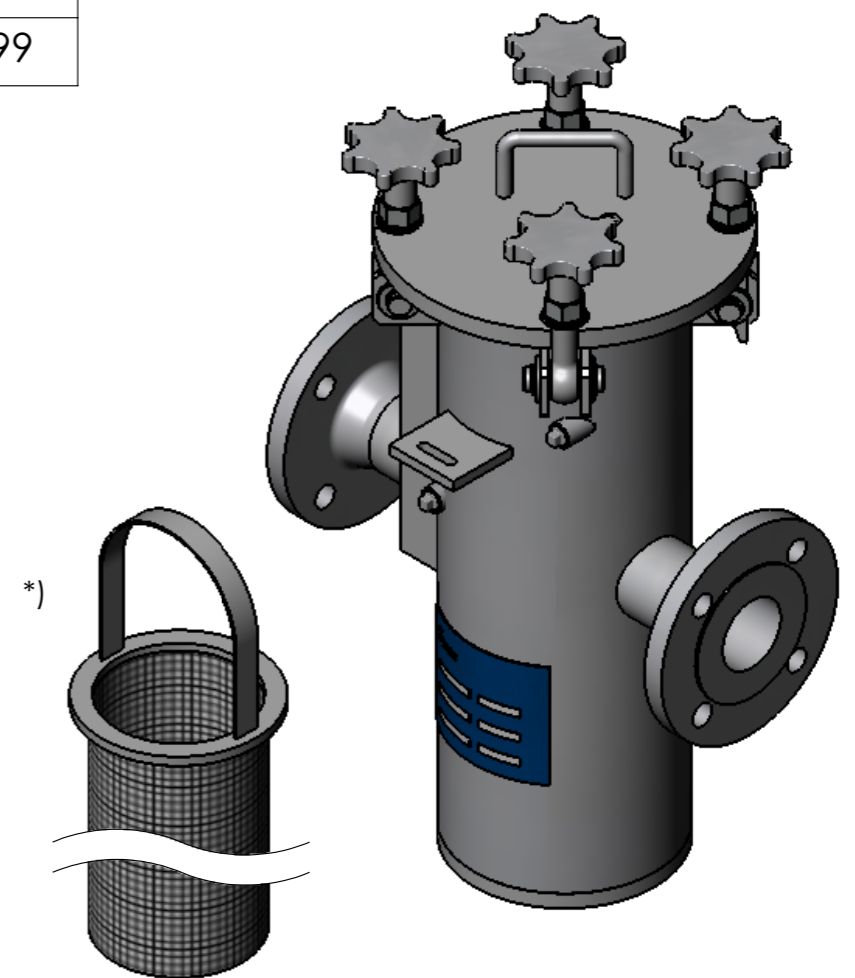



## NOZZLE INDEX

| Connection | Size       | Type           | DIN         |
|------------|------------|----------------|-------------|
| N1         | DN 50 PN16 | Inlet          | DIN 2633, C |
| N2         | DN 50 PN16 | Outlet         | DIN 2633, C |
| N3         | Rp 3/8     | Vent           | DIN 2999    |
| N4         | Rp 3/4     | Drain          | DIN 2999    |
| N5         | Rp 1/4     | Diff. pressure | DIN 2999    |
| N6         | Rp 1/4     | Diff. pressure | DIN 2999    |

## SPECIFICATION

|  |                 |
|--|-----------------|
| Max. pressure                                  | 10 bar          |
| Test pressure                                  | 14,3 bar        |
| Max. temperatur                                | -10/+80°C       |
| Volume   | 11 l            |
| Material housing                               | AISI 316        |
| Material gasket                                | O-Ring FPM      |
| Material bolts                                 | stainless steel |
| Weight   | 26 kg           |
| * filter basket against filter mesh - optional |                 |



|   |            |      |        |               |                    |
|---|------------|------|--------|---------------|--------------------|
| Date  | 03.04.2013 | Name | Leekes | Type          | SF-IL-16-10/F50-A4 |
|   |            |      |        |               |                    |
|  |            |      |        | Article-No.   | 5201713050         |
| Am Weinkastell 14<br>55270 Klein-Winternheim  |            |      |        | acc. Drawing: | 10-1224 Rev.0      |