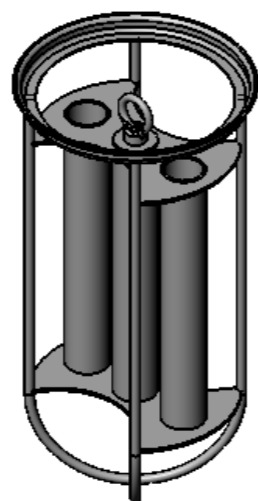
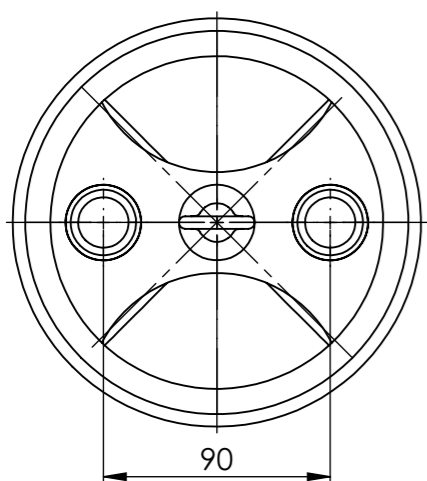
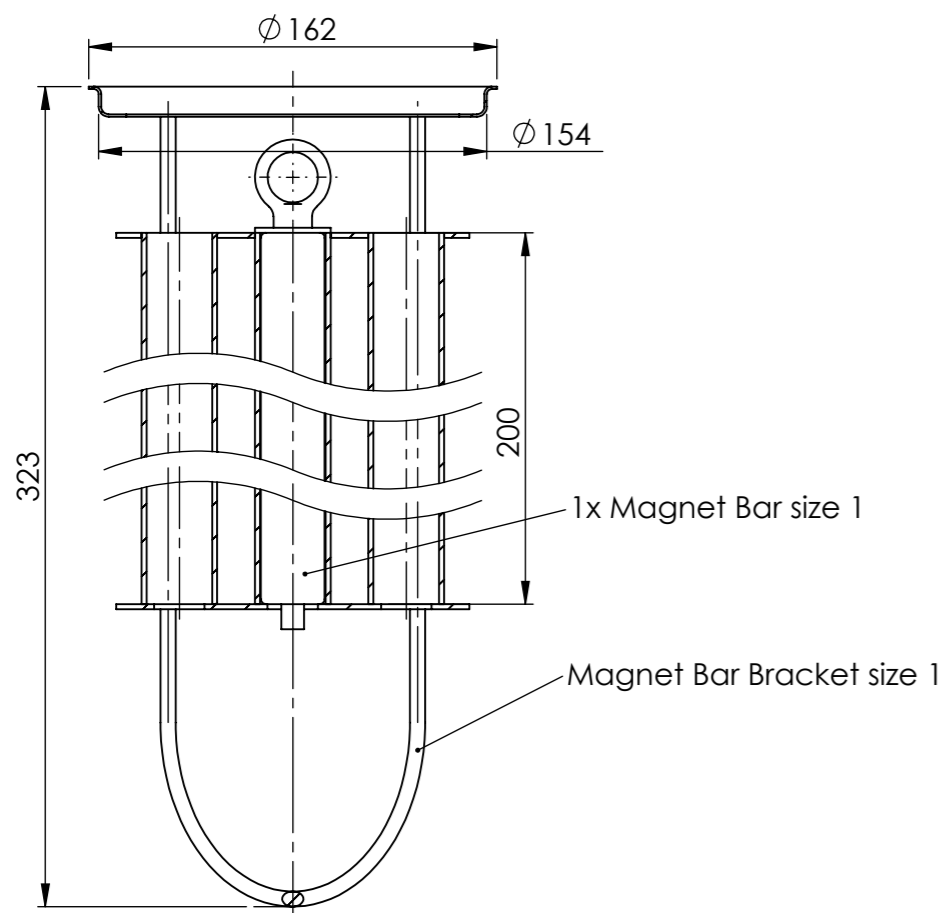
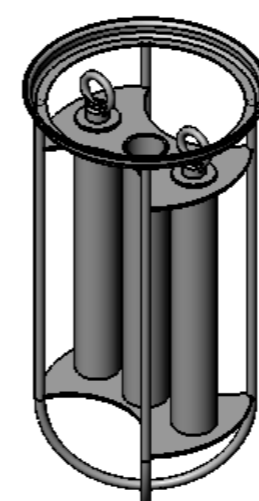
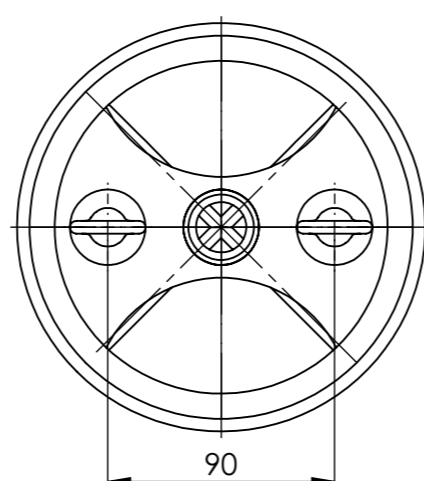
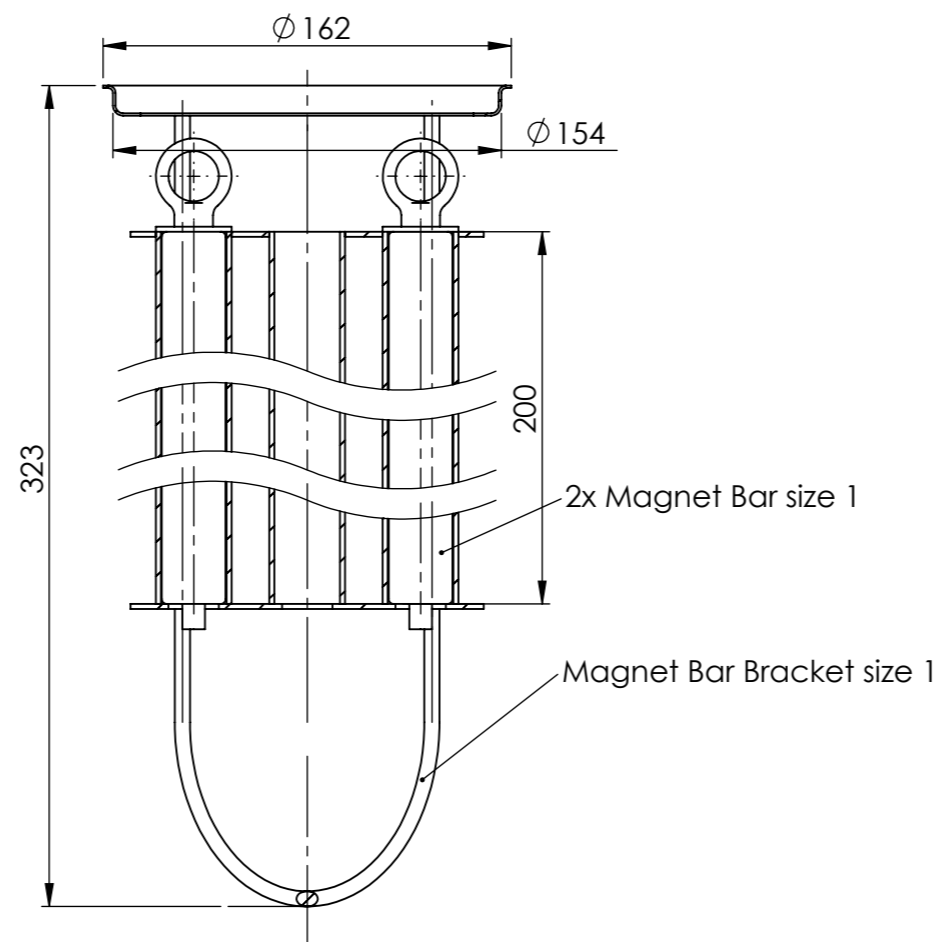


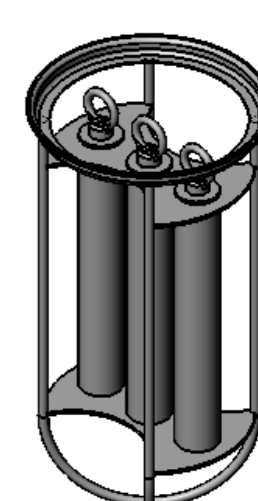
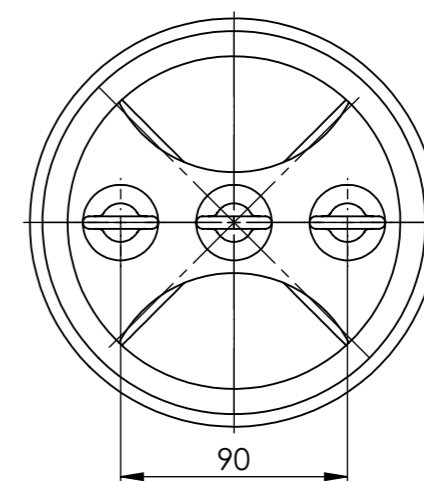
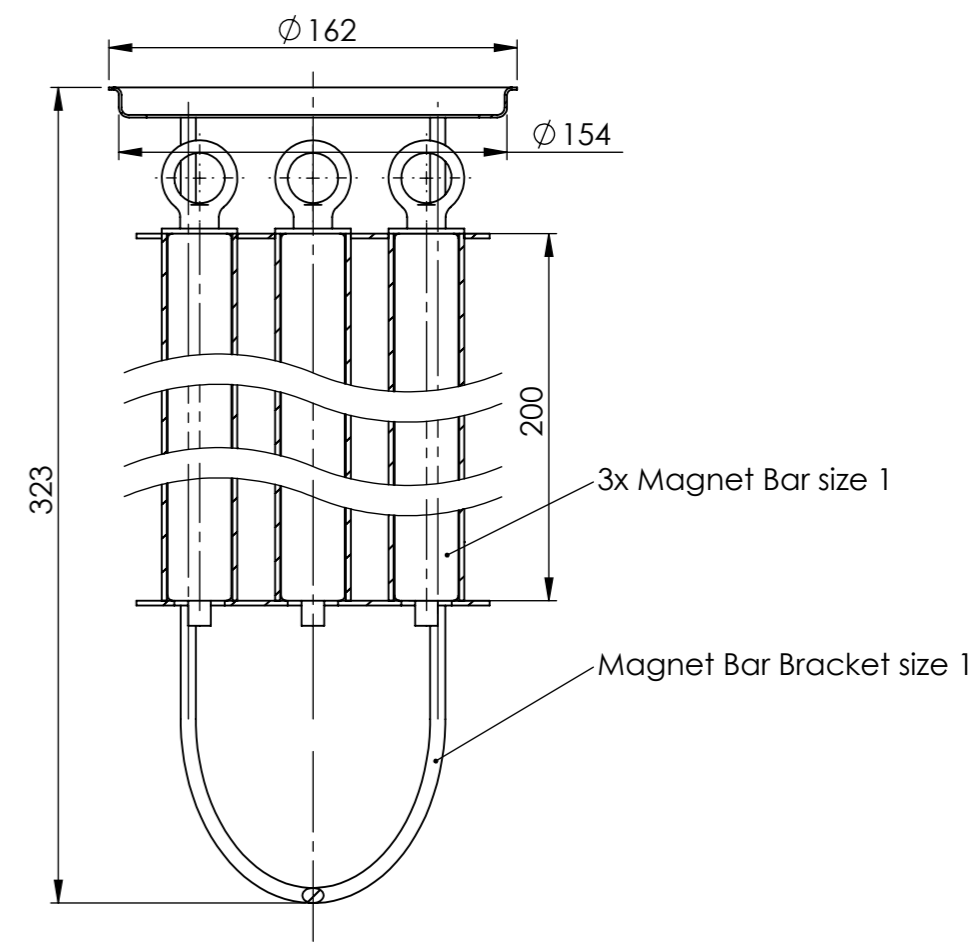
Magnet Bar Bracket with tube size 1-A2-1  
Art.-No.: 5199205066



Magnet Bar Bracket with tube size 1-A2-2  
Art.-No.: 5199205067



Magnet Bar Bracket with tube size 1-A2-3  
Art.-No.: 5199205068



**SPECIFICATION**

Type	Size 1
Magn. field strength	9000 Gs
Material	AISI 304
Weight frame	approx. 2 kg
Weight magnet	1 kg

Date	Name
15.04.2015	Neubauer

**FUHR** GmbH  
Am Weinkastell 14  
55270 Klein-Winternheim

Type	Magnet Bar Bracket with tube size 1-A2-(1-3)
Article-No.	519920506 (6-8)
acc.drawing:	Ers.f.: