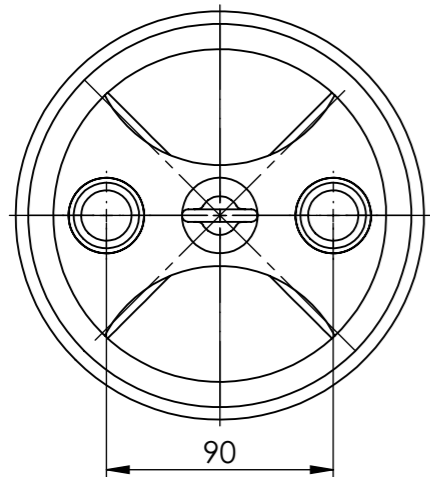
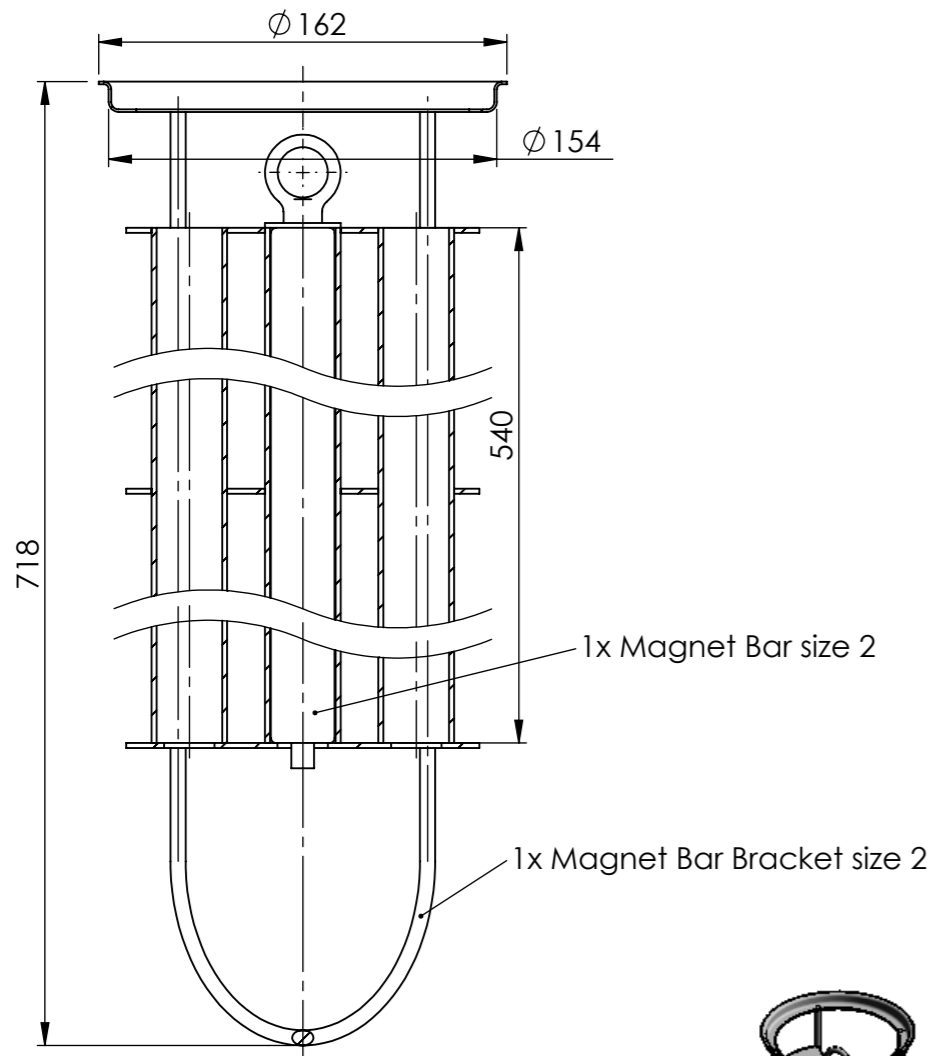
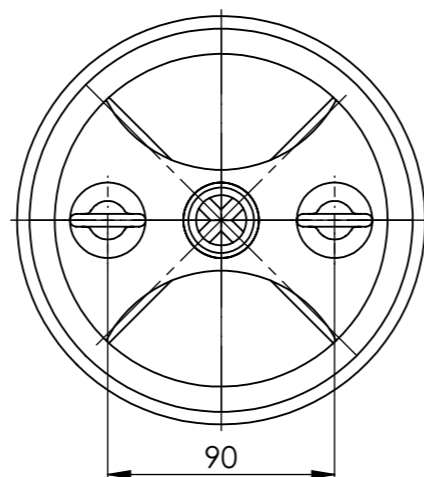
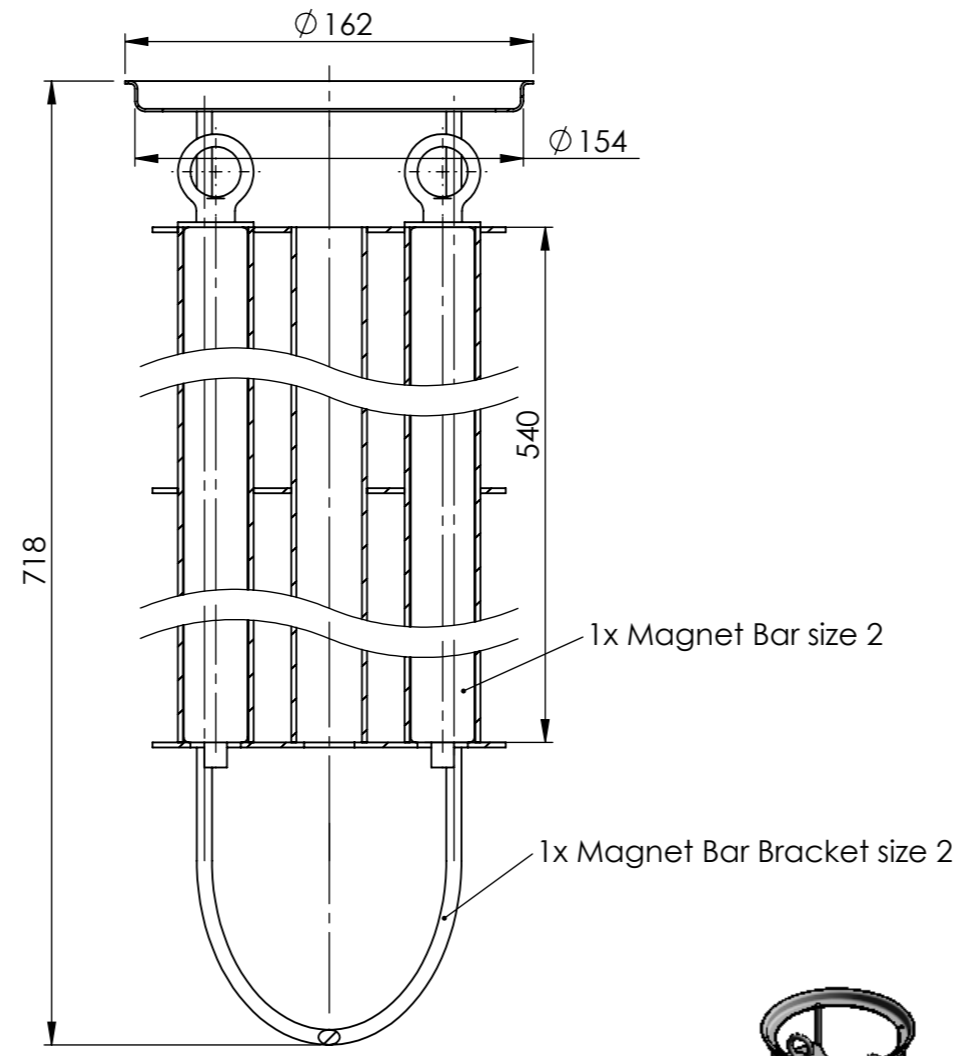


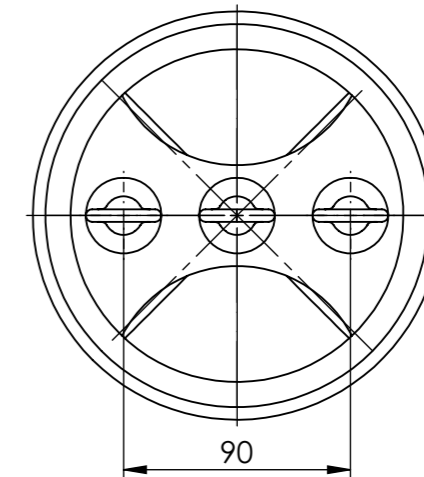
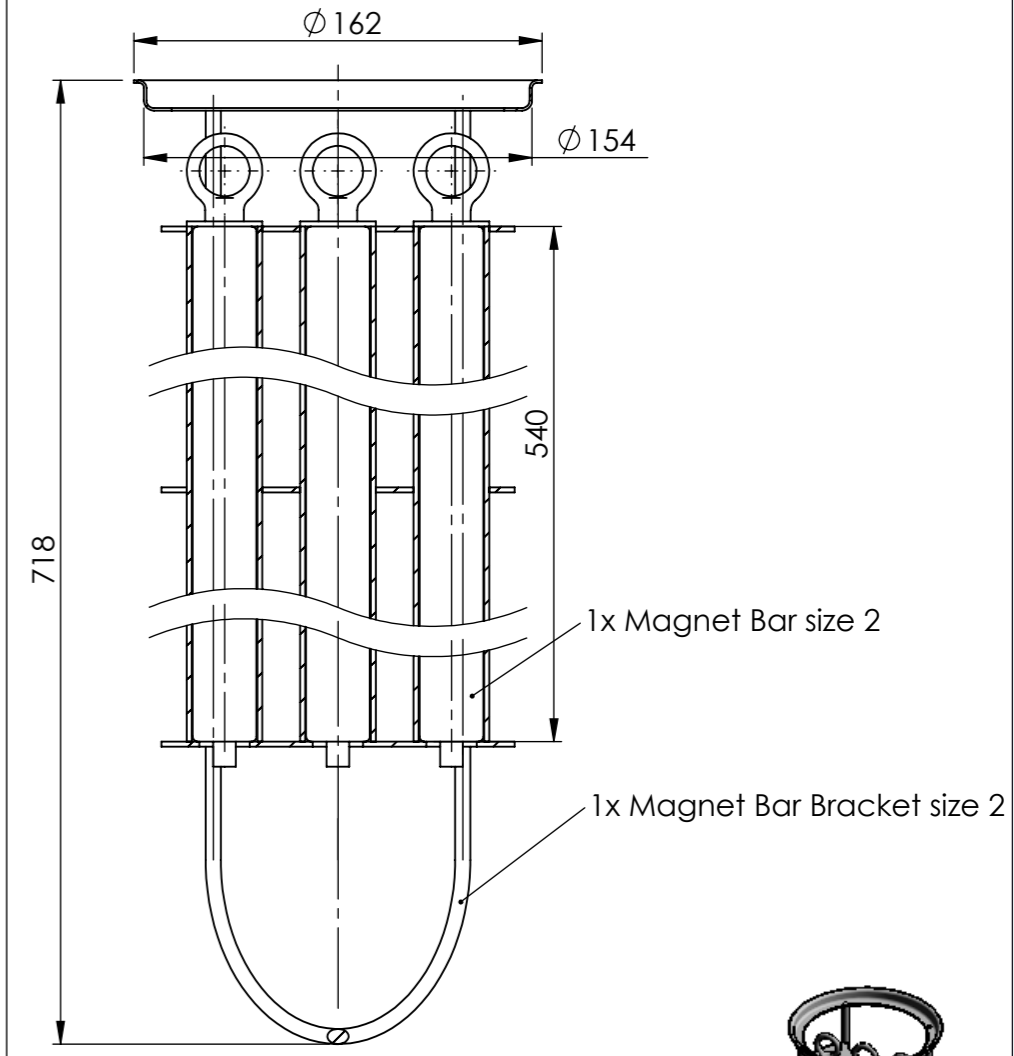
Magnet Bar Bracket with tube size 2-A2-1
Art.-No.: 5199205056



Magnet Bar Bracket with tube size 2-A2-2
Art.-No.: 5199205057



Magnet Bar Bracket with tube size 2-A2-3
Art.-No.: 5199205058



SPECIFICATION

Type	Size 2
Magn. field strength	9000 Gs
Material	AISI 304
Weight frame	approx. 3 kg
Weight magnet	2 kg

Date	Name
02.08.2012	Leekes

FUHR GmbH
Am Weinkastell 14
55270 Klein-Winternheim

Type	Magnet Bar Bracket with tube size 2-A2-(1-3)
Article-No.:	519920505 (6-8)
acc. drawing:	