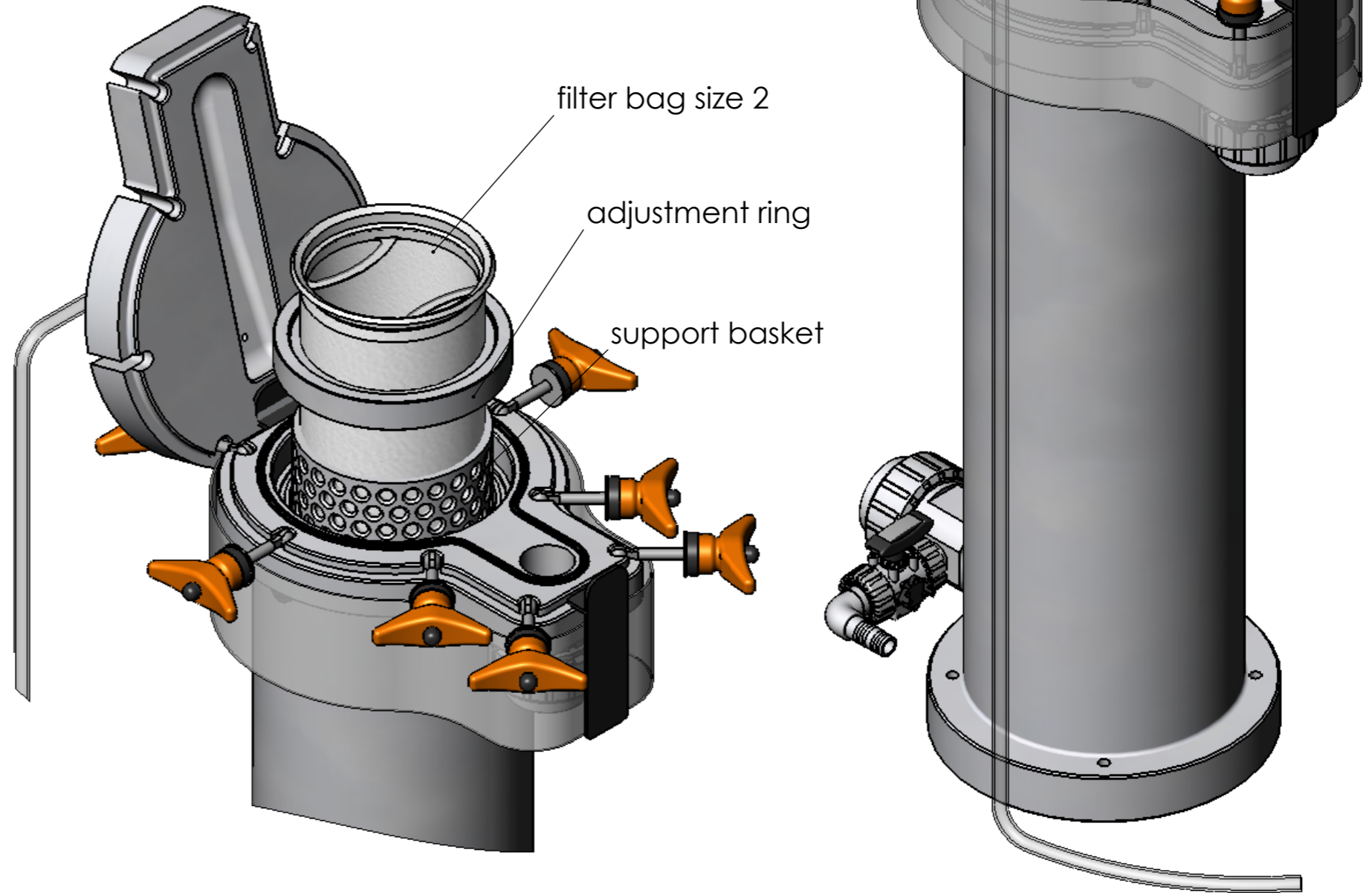



NOZZLE INDEX

Connection	Size	Type	DIN
N1	D63-2" PN10	Inlet	PP
N2	D63-2" PN10	Outlet	PP
N3	Rp 1/2	Manometer with membrane	DIN 2999
N4	Rp 1/2	Drain	DIN 2999
N5	DN 20	Drain	Hose clip

SPECIFICATION

Max. allow. Pressure	6 bar
Max. allow. Temperature	30°C
Volume	29 l
Material Housing	Polypropylen
Material Gasket	Profilgasket EPDM
Material Bolts	Stainless Steel
Weight	30 kg



Date	12.01.2016	Name	Neubauer	Type	ALPT2-6/D63-EPDM
				Article-No.	
 Am Weinkastell 14 55270 Klein-Winternheim				acc. drawing: 10-1256 Rev.0	