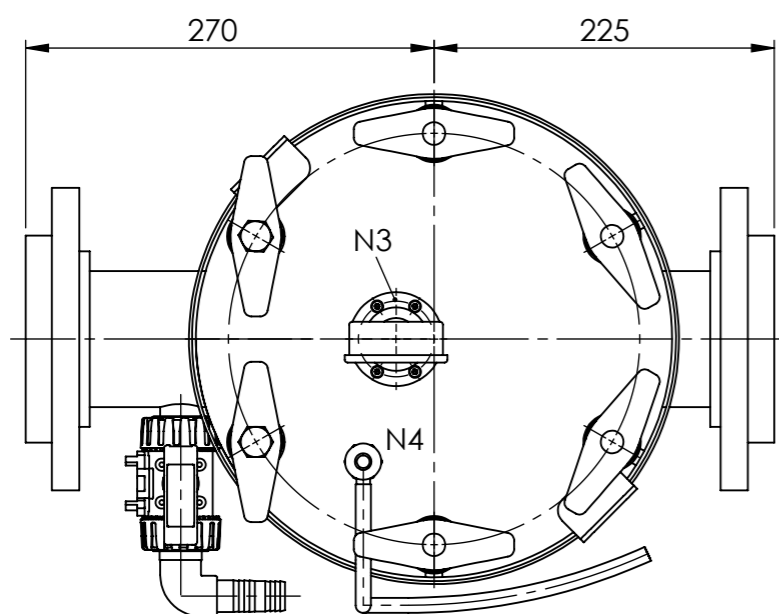
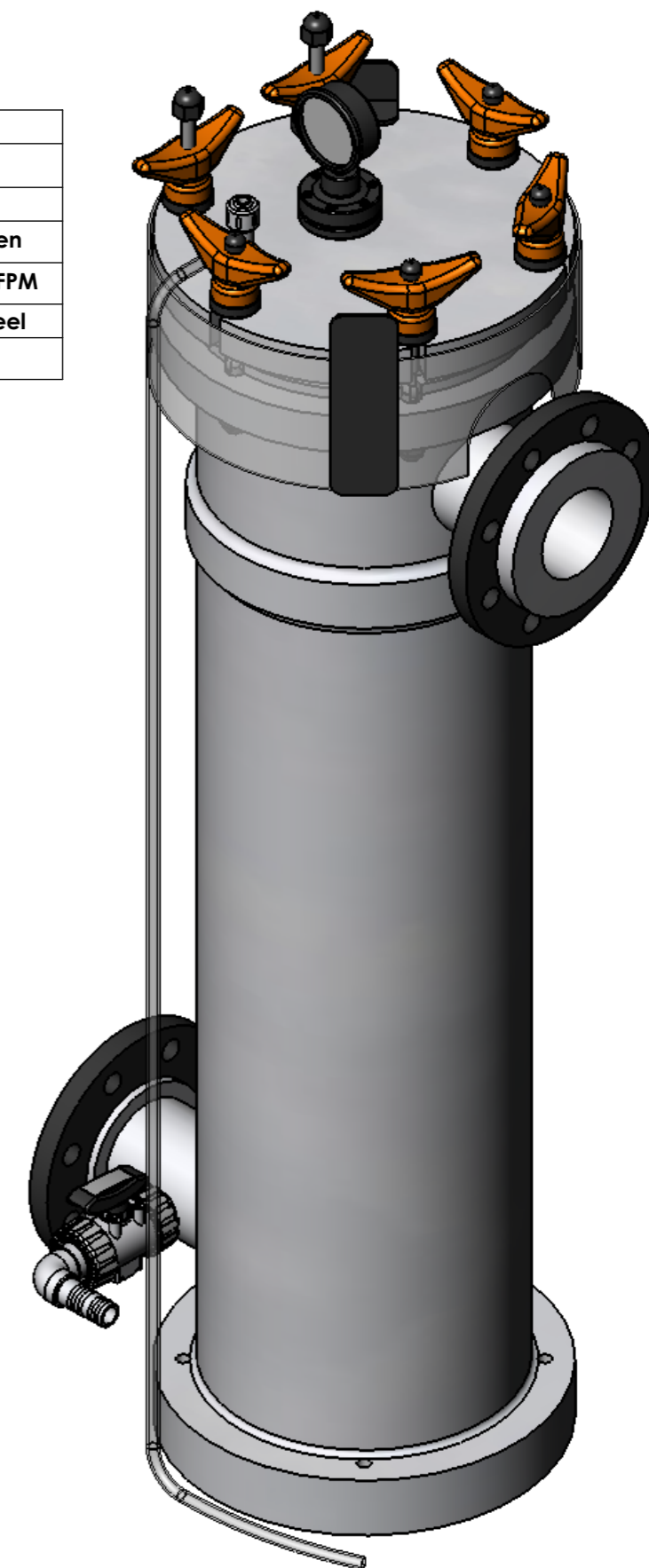
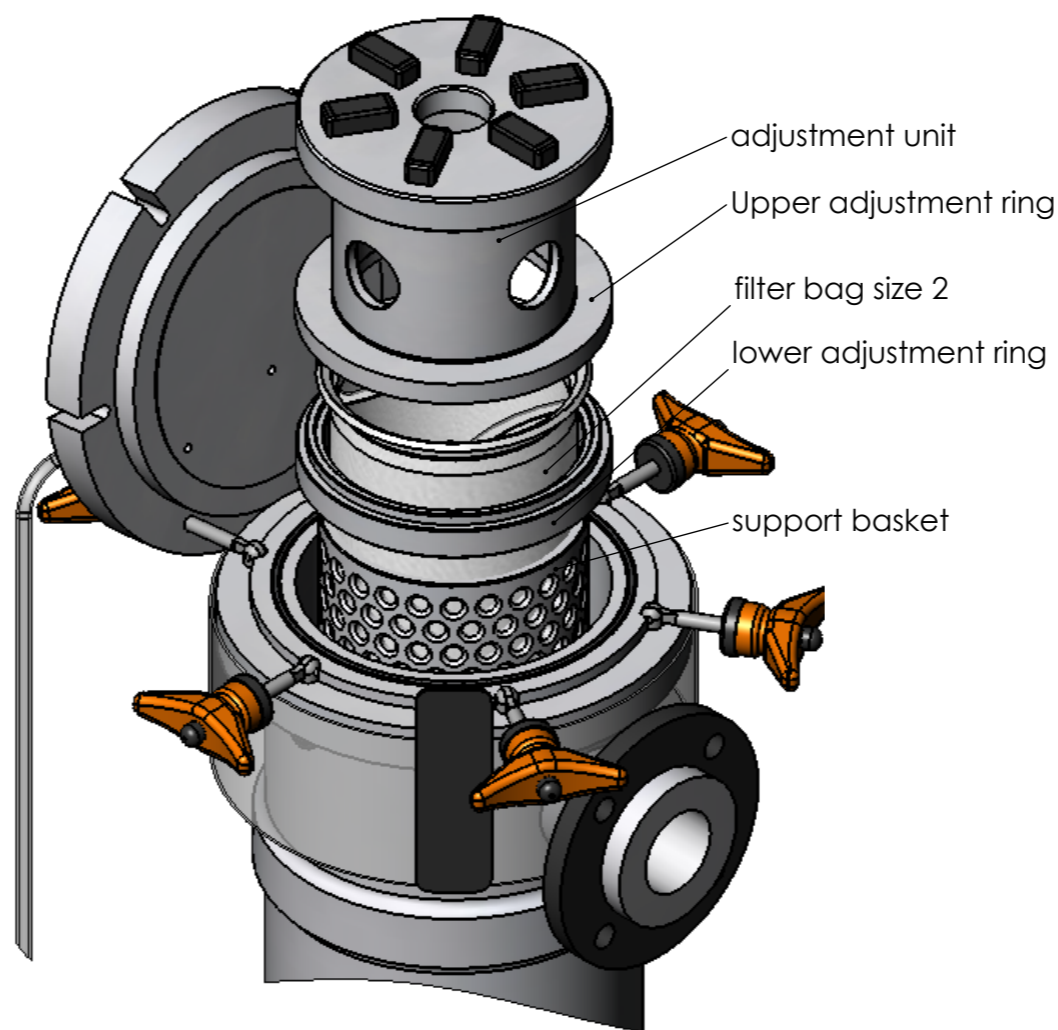


NOZZLE INDEX

Connection	Size	Type	DIN
N1	DN 80 PN16	Inlet	DIN 2642
N2	DN 80 PN16	Outlet	DIN 2642
N3	Rp 1/2	Manometer with membrane	DIN 2999
N4	Rp 1/4	Drain	DIN 2999
N5	DN 20	Drain	Hose clip

SPECIFICATION

Max. allow. Pressure	6 bar
Max. allow. Temperature	30°C
Volume	34 l
Material Housing	Polypropylen
Material Gasket	Profilgasket FPM
Material Bolts	Stainless Steel
Weight	36 kg



Date	12.01.2016	Name	Neubauer	Type	ALPS2-6/F80-FPM
				Article-No.	5401042802
				acc. drawing:	10-1253 Rev.0


FUHR GmbH
 Am Weinkastell 14
 55270 Klein-Winternheim