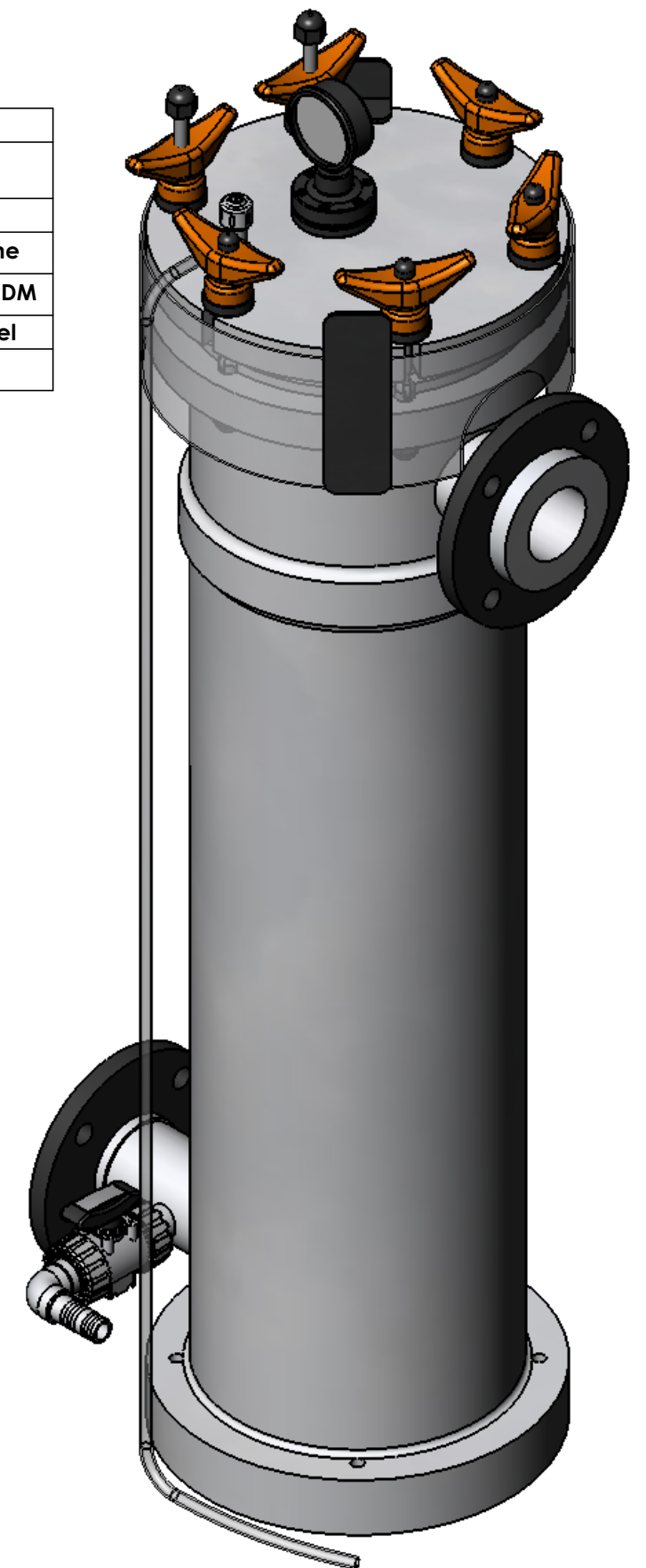
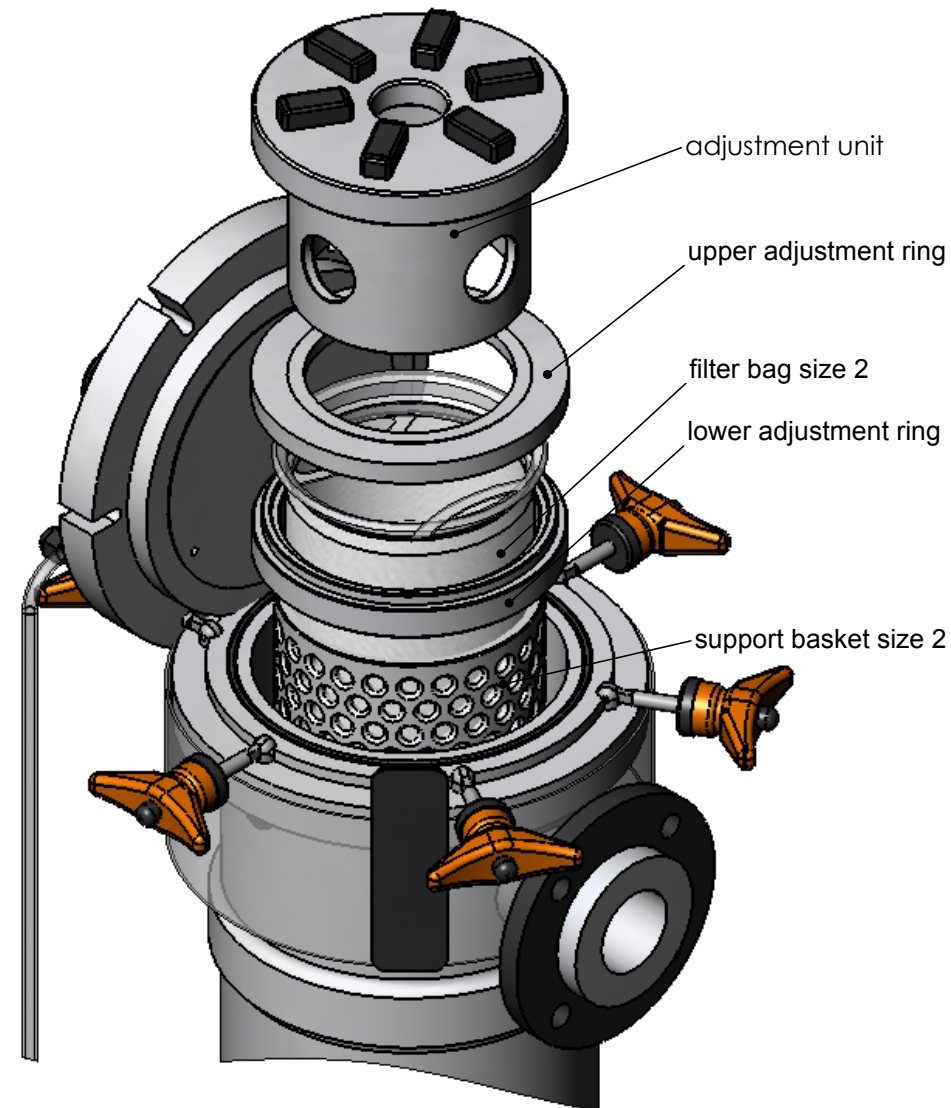



NOZZLE INDEX

Connection	Size	Type	DIN
N1	DN 65 PN10	Inlet	DIN 2642
N2	DN 65 PN10	Outlet	DIN 2642
N3	Rp 1/2	Manometer with membran	DIN 2999
N4	Rp 1/4	Drain	DIN 2999
N5	DN 20	Drain	Hose clip

SPECIFICATION

Max allow. Pressure	6 bar
Max allow. Temperature	30°C
Volume	34 l
Material Housing	Polypropylene
Material Gasket	Profilgasket EPDM
Material Bolts	Stainless Steel
Weight	34 kg



Date	22.10.2010	Name	Brixius	Type	ALPS2-6/F65-EPDM
				Article-No.	
 Am Weinkastell 14 55270 Klein-Winternheim				acc drawing.: 10-1253 Rev.0	