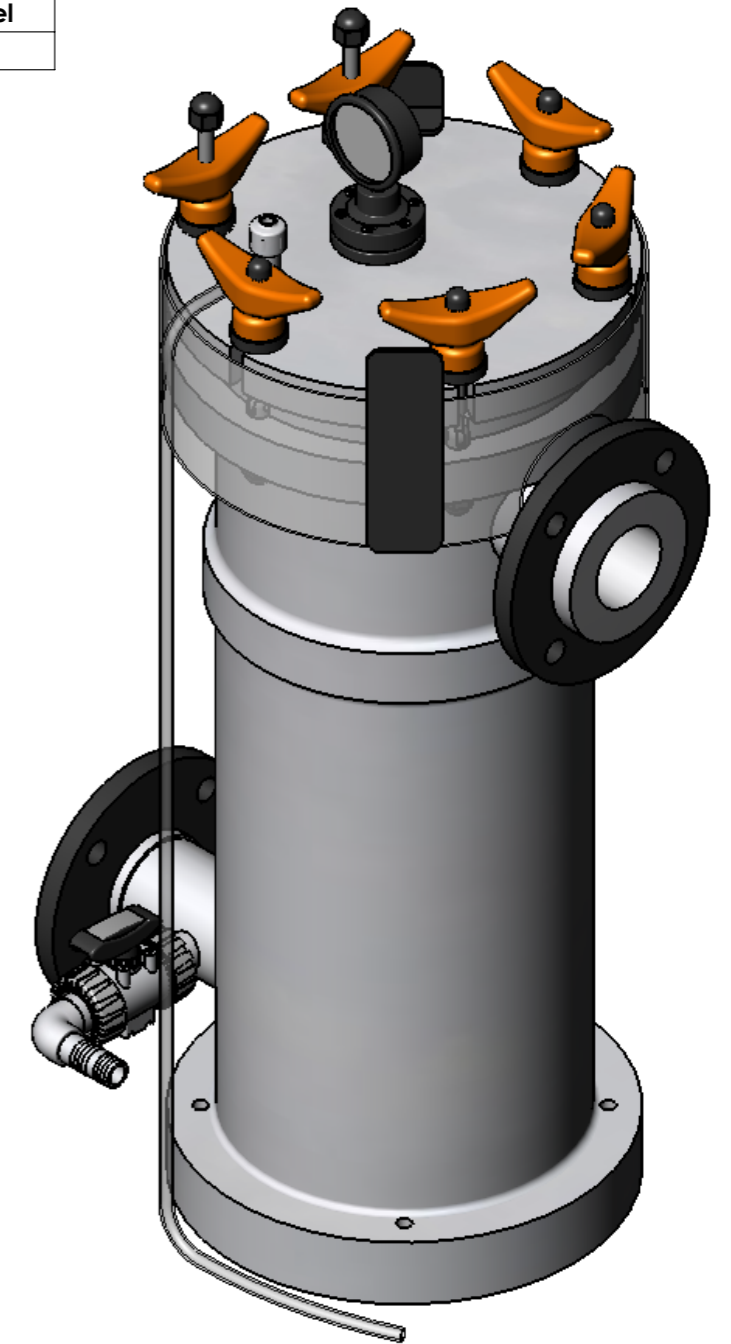
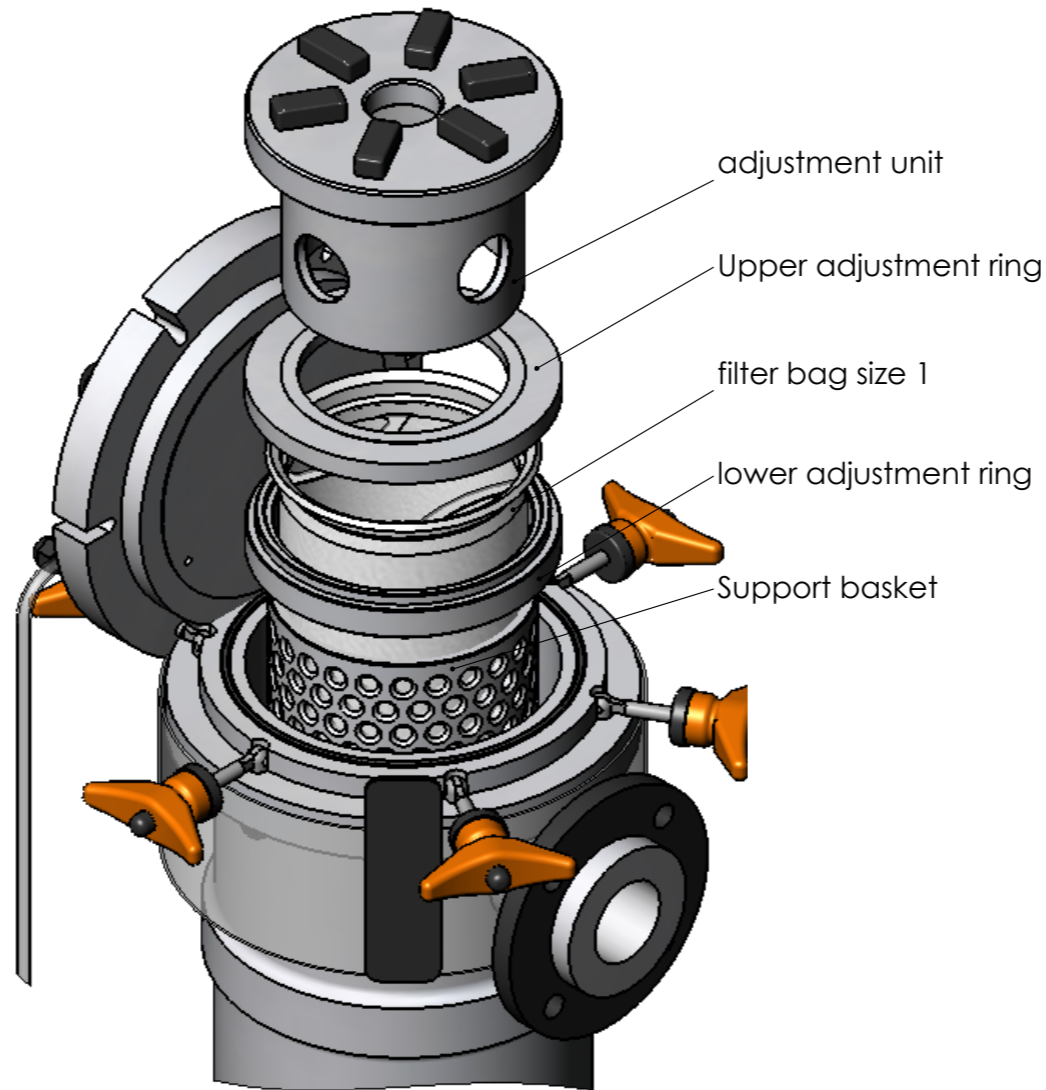



### NOZZLE INDEX

Connection	Size	Type	DIN
N1	DN 65 PN10	Inlet	DIN 2642
N2	DN 65 PN10	Outlet	DIN 2642
N3	Rp 1/2	Manometer with membrane	DIN 2999
N4	Rp 1/4	Drain	DIN 2999
N5	DN 20	Drain	Hose clip

### SPECIFICATION

Max. allow. Pressure	6 bar
Max. allow. Temperature	30°C
Volume	20 l
Material Housing	Polypropylen
Material Gasket	Profilgasket FPM
Material Bolts	Stainless Steel
Weight	28 kg



Date	12.01.2016	Name	Neubauer	Type	ALPS1-6/F65-FPM
				Article-No.	
 Am Weinkastell 14 55270 Klein-Winternheim				acc. drawing: 10-1360 Rev.0	