

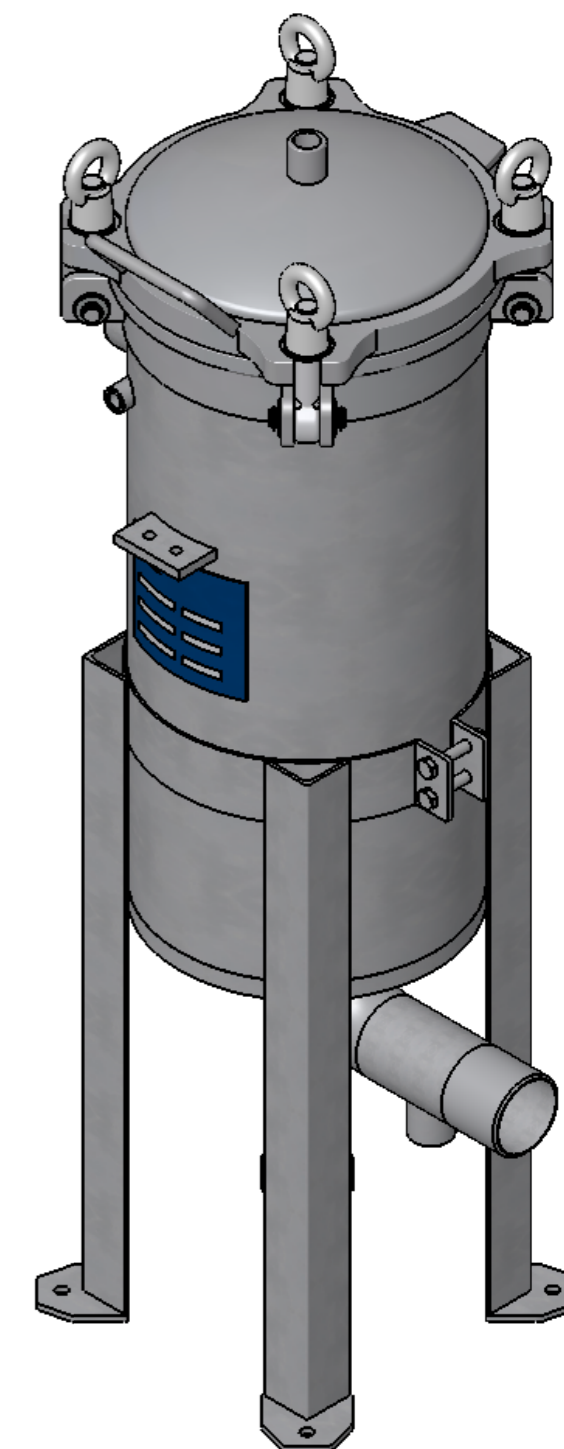
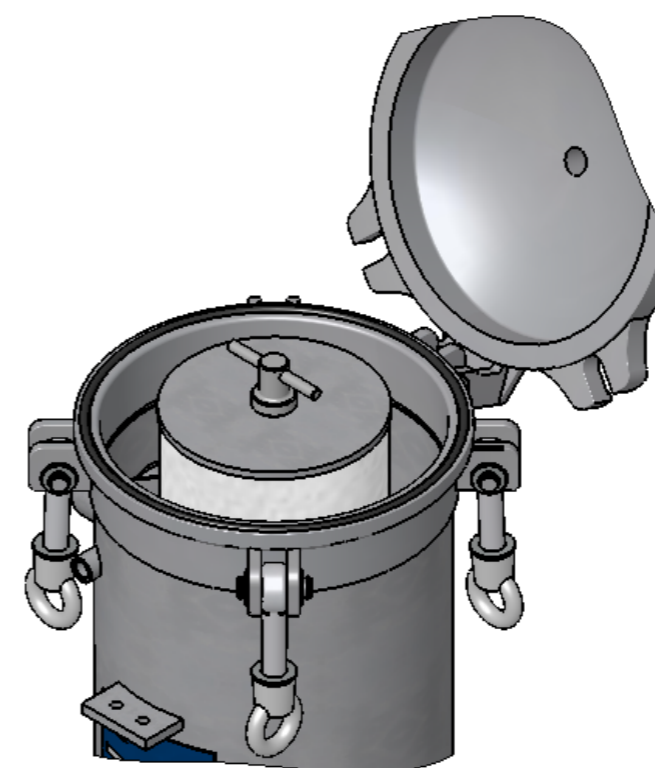
## NOZZLE INDEX

Connection	Size	Type	DIN
N1	R2	Inlet	DIN 2999
N2	R2	Outlet	DIN 2999
N3	Rp 1/2	Vent	DIN 2999
N4	Rp 3/4	Drain	DIN 2986
N5	Rp 3/4	Drain	DIN 2986
N6	Rp 3/4	Differential pressure measurement +	DIN 2986
N7	Rp 3/4	Differential pressure measurement -	DIN 2986

## SPECIFICATION

For 1 piece of	acuraTube (ID 112 mm)
Cartridge length	20"
Max. allow. pressure	10 bar
Test pressure	14,3 bar
Max. allow. temperature	-10/+80°C
Volume	24 l
Material housing	AISI 316L
Material gasket	O-Ring FPM
Material bolts	Stainless steel
Weight	41 kg

Also available for 40" cartridges.  
Alternative connections:  
DN50 for 20" length  
DN80 for 30" length



Date	09.01.2013	Name	Leekes	Type	1TU20-10/R50-A4
				Article-No.	
				Acc. drawing:	10-1344 Rev.1

**FUHR** GmbH

Am Weinkastell 14  
55270 Klein-Winternheim