

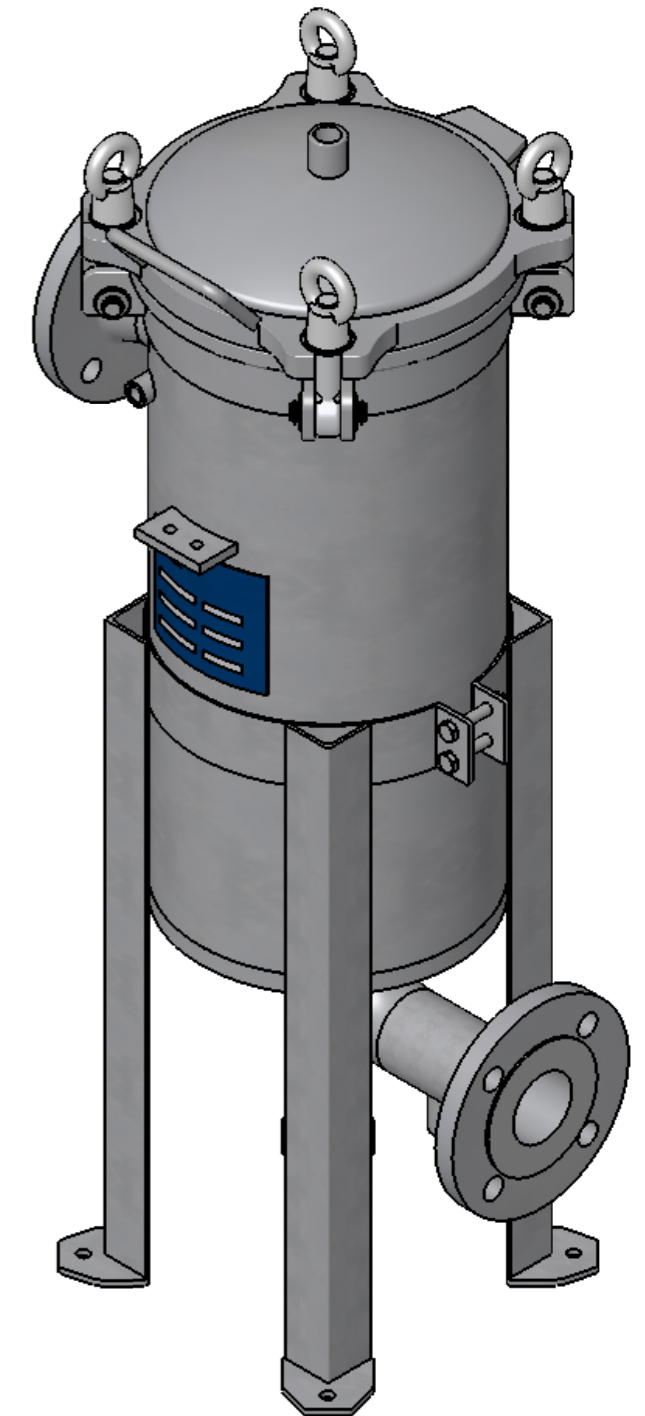
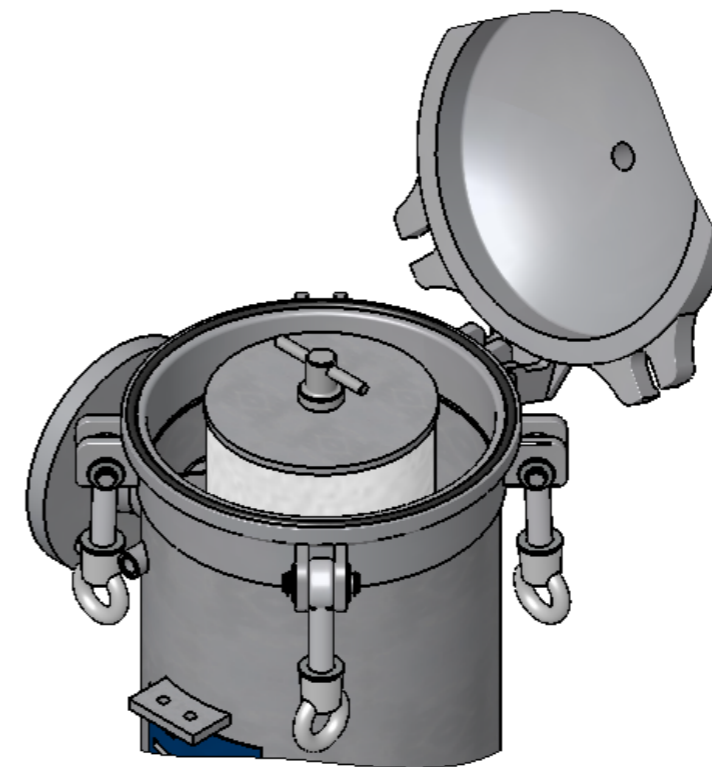
NOZZLE INDEX

Connection	Size	Type	DIN
N1	DN50 PN16	Inlet	EN1092-1/11B1
N2	DN50 PN16	Outlet	EN1092-1/11B1
N3	Rp 1/2	Vent	DIN 2999
N4	Rp 3/4	Drain	DIN 2986
N5	Rp 3/4	Drain	DIN 2986
N6	Rp 3/4	Differential pressure measurement +	DIN 2986
N7	Rp 3/4	Differential pressure measurement -	DIN 2986

SPECIFICATION

For 1 piece of	acuraTube (ID 112 mm)
Cartridge length	20"
Max. allow. pressure	10 bar
Test pressure	14,3 bar
Max. allow. temperature	-10/+80°C
Volume	24 l
Material housing	AISI 304
Material gasket	O-Ring FPM
Material bolts	Stainless steel
Weight	45 kg

Also available for für 40" cartridges.
 Alternative connections:
 R2" for 20" cartridge length
 DN80 for 30" cartridge length



Date	18.06.2013	Name	Leekes	Type	1TU20-10/F50-A2
				Article-No.	
				Acc. drawing:	10-1357 Rev.0

FUHR GmbH
 Am Weinkastell 14
 55270 Klein-Winternheim