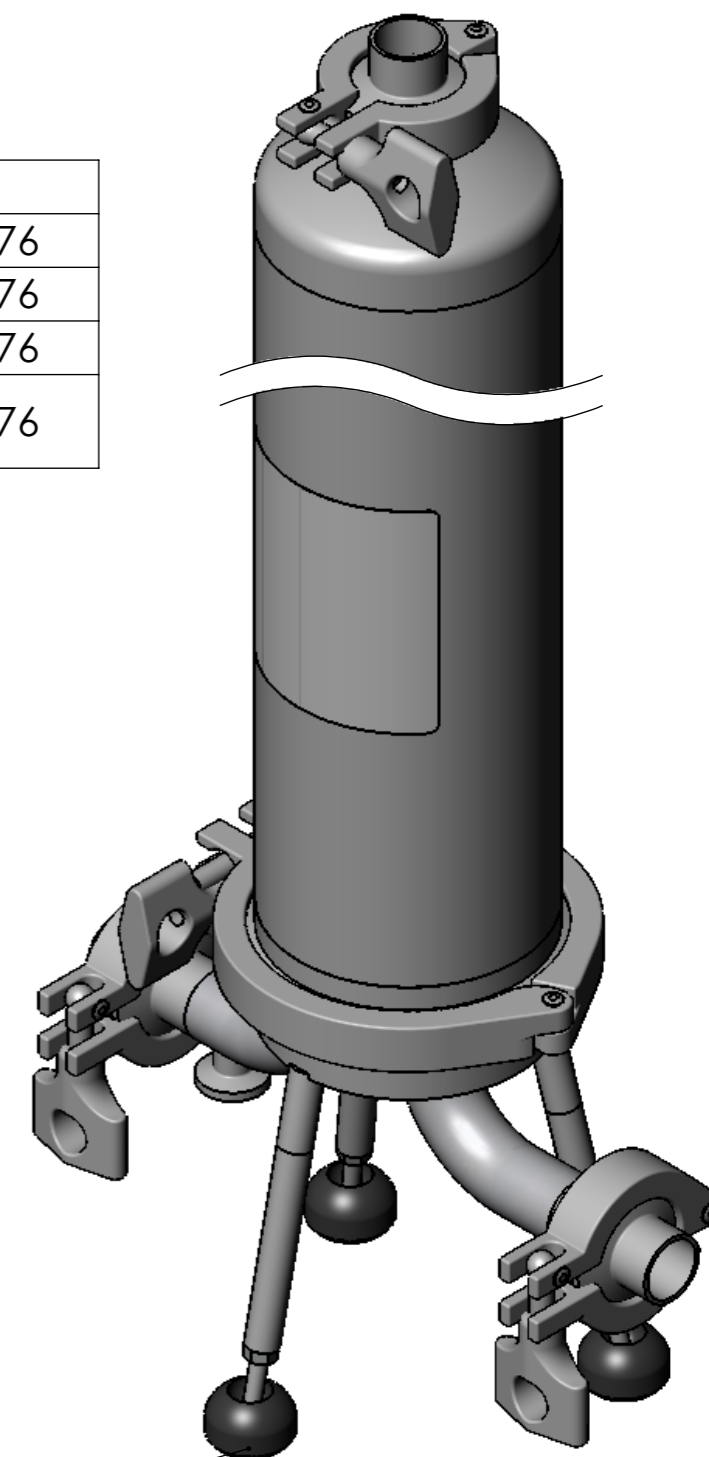


NOZZLE INDEX

Connection	Size	Type	DIN
N1	1"	Inlet	DIN 32676
N2	1"	Outlet	DIN 32676
N3	1"	Vent	DIN 32676
N4	1/2"	Drain	DIN 32676

SPECIFICATION

Max. allow. pressure	6 bar
Test pressure	8,6 bar
Max. allow. temperature	-10/+80°C
Volume	2,6 l
Material housing	AISI 316L
Material gasket	silicone
Material bolts	AISI 304
Weight	7,8 kg
Quantity cartridge	1x10" filter cartridge Code 7 (226-adaptor)
Surface	electropolish



Date	11.01.2016	Name	Neubauer	Type	1SFB10-6/TC25-A4
				Article-no.	
				acc. drawing:	


FUHR GmbH
 Am Weinkastell 14
 55270 Klein-Winternheim