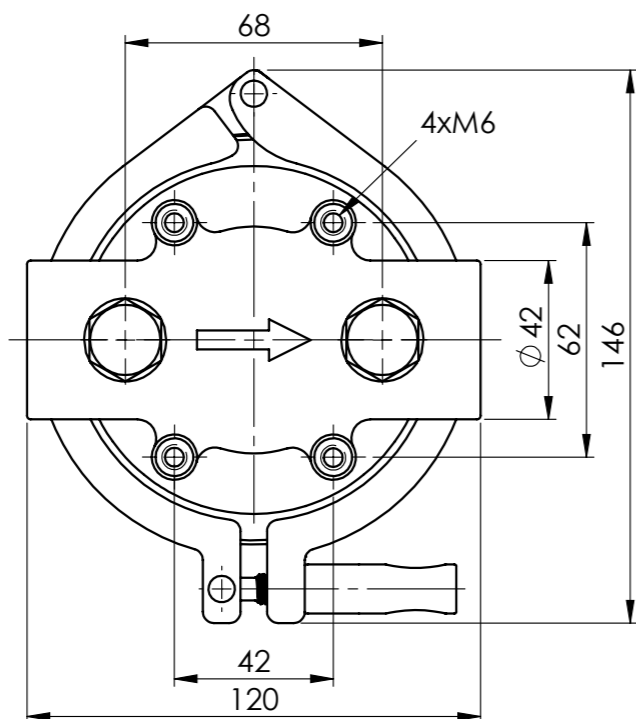
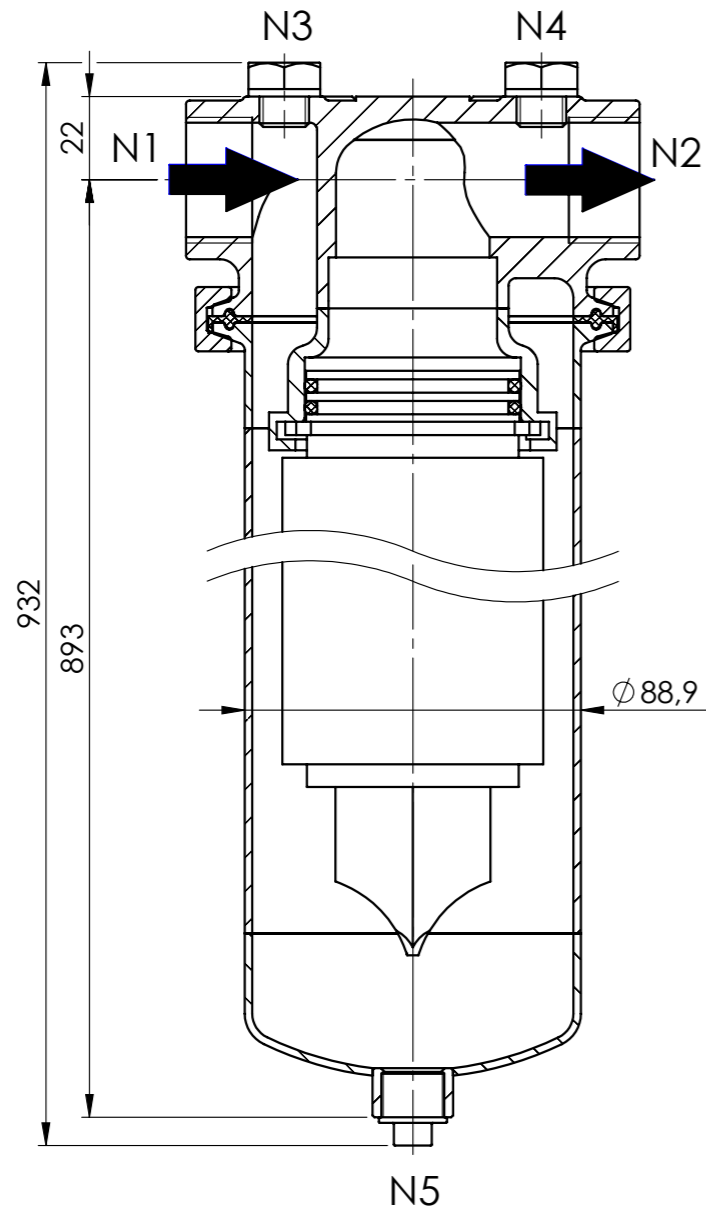


ADAPTOR CARTRIDGE (CODE 7)

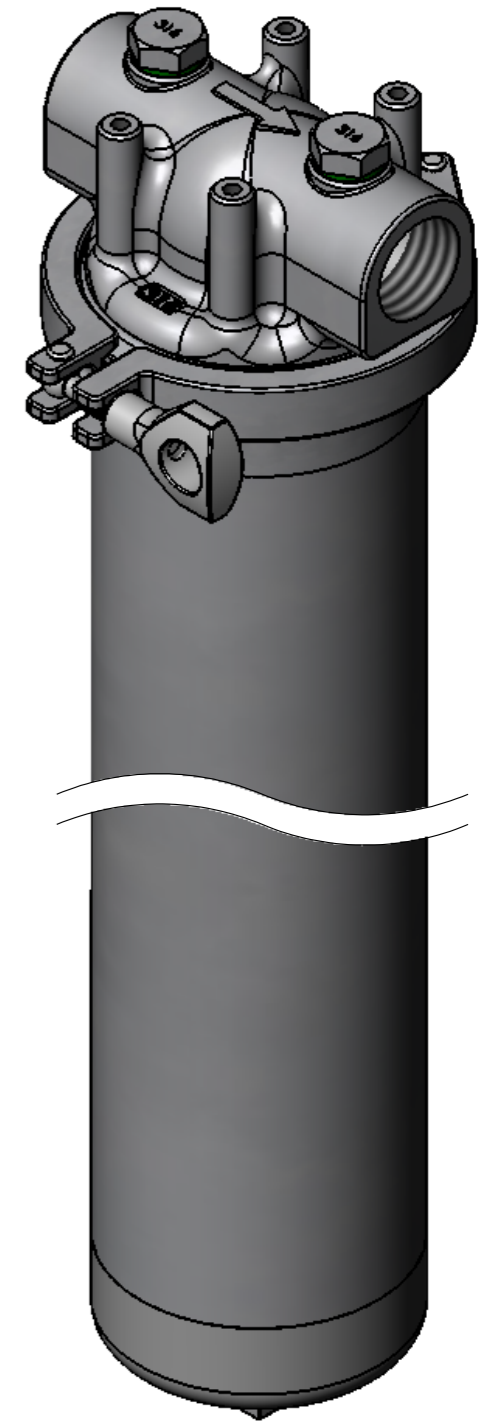


NOZZLE INDEX


Connection	Size	Type	DIN
N1	Rp 1	Inlet	DIN 2999
N2	Rp 1	Outlet	DIN 2999
N3	Rp 1/4	Vent	DIN 2999
N4	Rp 1/4	Vent	DIN 2999
N5	Rp 3/8	Drain	DIN 2986

SPECIFICATION

Max. allow. pressure	25 bar
Max. allow. temperature	-10/+80°C
Volume	5,2 l
Material Filter Head	AISI 316
Material Filter Sump	AISI 316
Material Quick Closure	AISI 304
Material Gasket	FPM
Adaptor Cartridges	30 inch - CODE 7
Weight	8,2 kg



analog fig.

Date	12.08.2014	Name	Leekes	Type	1FUCB3-25/25-A4F
Proof.					
Resp.					
Norm				Article-No.	1754832025
 Am Weinkastell 14 55270 Klein-Winternheim				acc. drawing: 10-1403 Rev.0	Repl. for