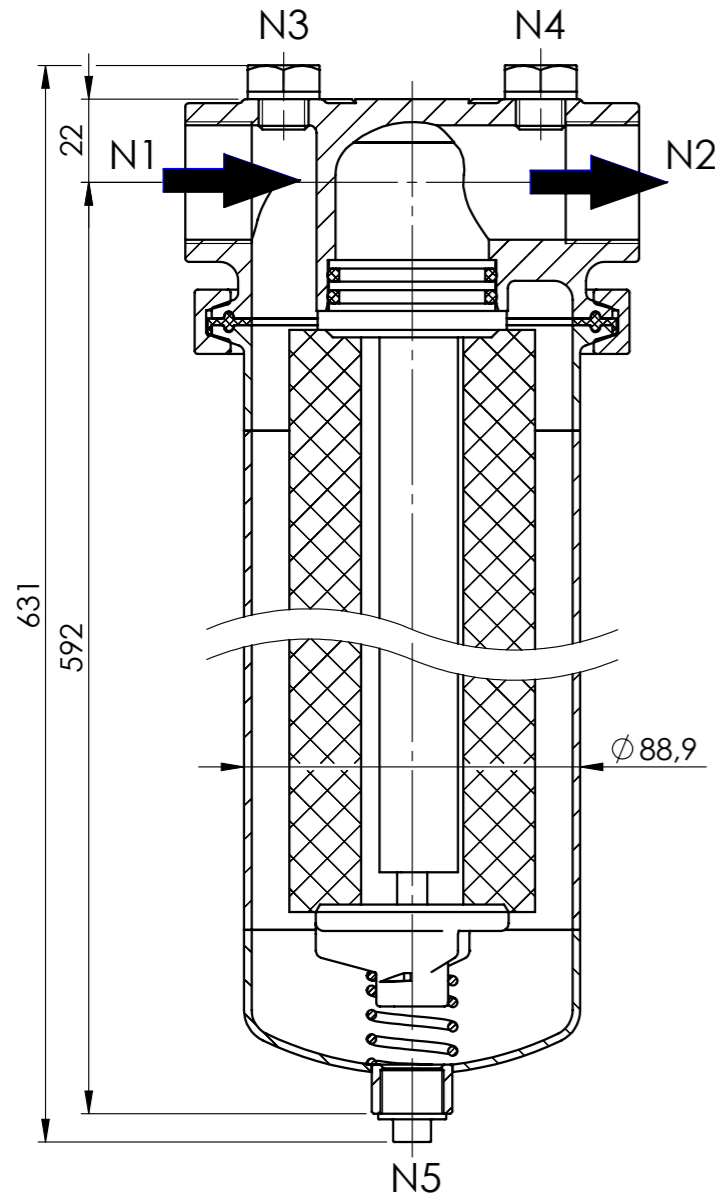
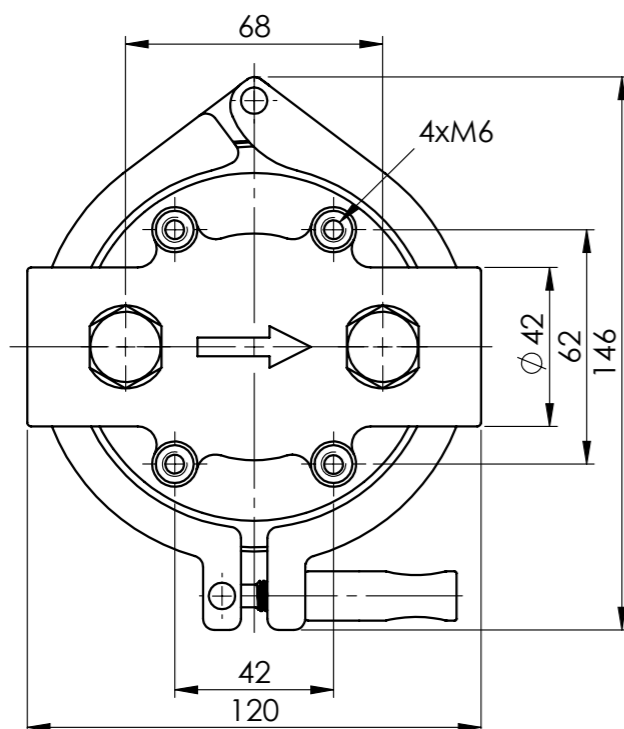
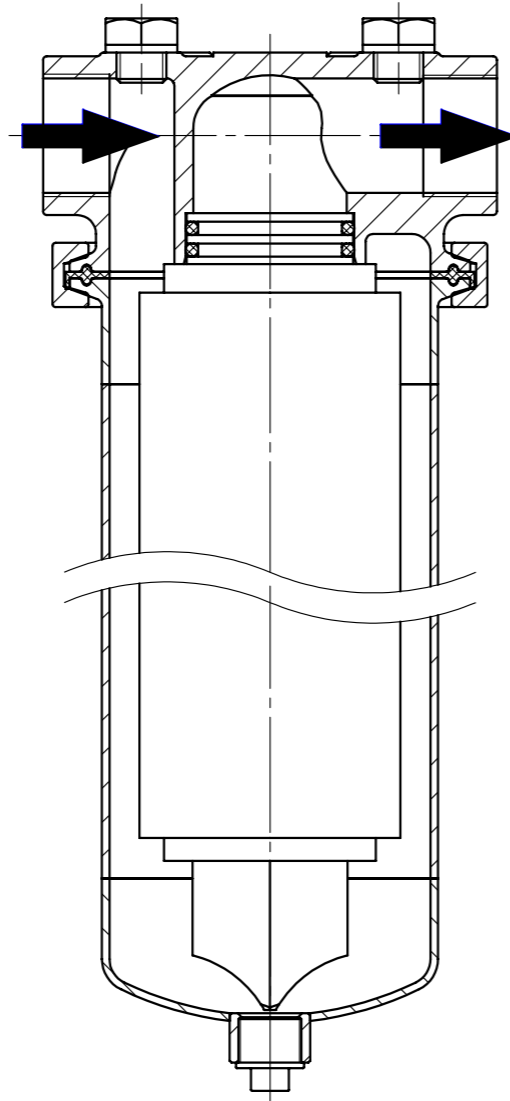


**DOE FILTER CARTRIDGE  
(DOUBLE-OPEN-END)**



**ADAPTOR FILTER CARTRIDGE  
(CODE 8)**



**NOZZLE INDEX**


Connection	Size	Type	DIN
N1	Rp 1	Inlet	DIN 2999
N2	Rp 1	Outlet	DIN 2999
N3	Rp 1/4	Vent	DIN 2999
N4	Rp 1/4	Vent	DIN 2999
N5	Rp 3/8	Drain	DIN 2986

**SPECIFICATION**

Max. allow. pressure	25 bar
Max. allow. temperature	-10/+80°C
Volume	3,5 l
Material Filter Head	AISI 304
Material Filter Sump	AISI 304
Material Insert	AISI 304
Material Quick Closure	AISI 304
Material Gasket	FPM
DOE - Cartridge Length	496 - 508 mm
Adaptor Cartridges	20 inch - CODE 8
Weight	5,1 kg



analog fig.

Date	31.07.2014	Name	Leekes	Type	1FUC2-25/25-A2F
Proof.					
Resp.					
Norm				Article-No.	1754322025
 Am Weinkastell 14 55270 Klein-Winternheim				acc. drawing: 10-1392 Rev.0	Repl. for