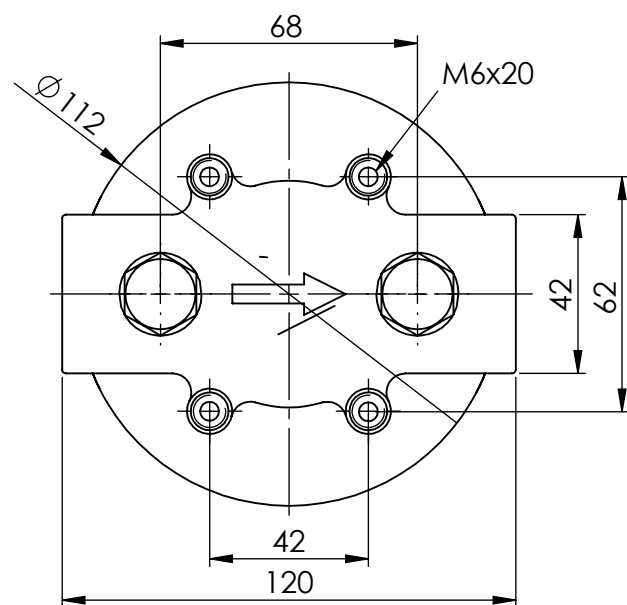
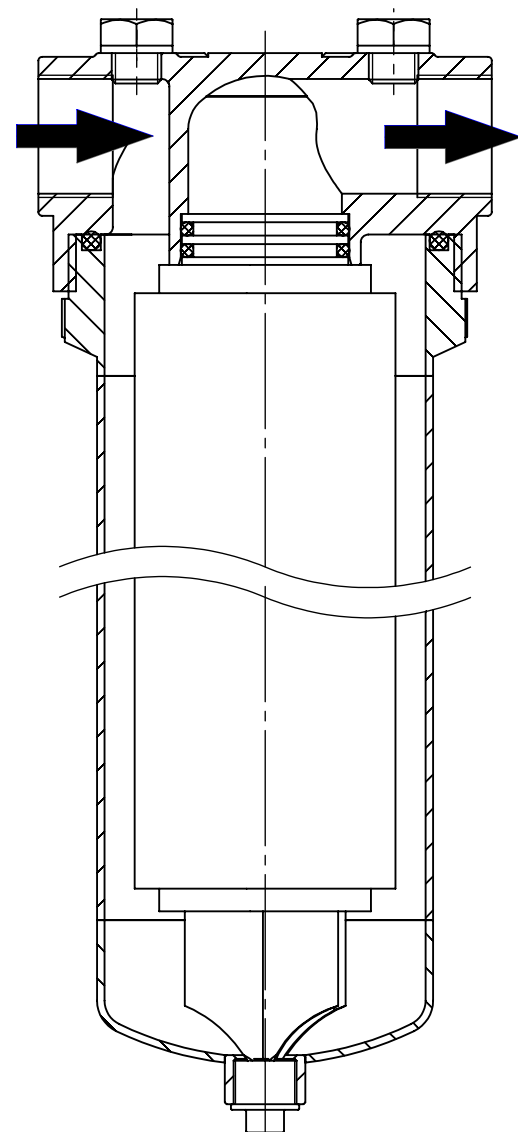
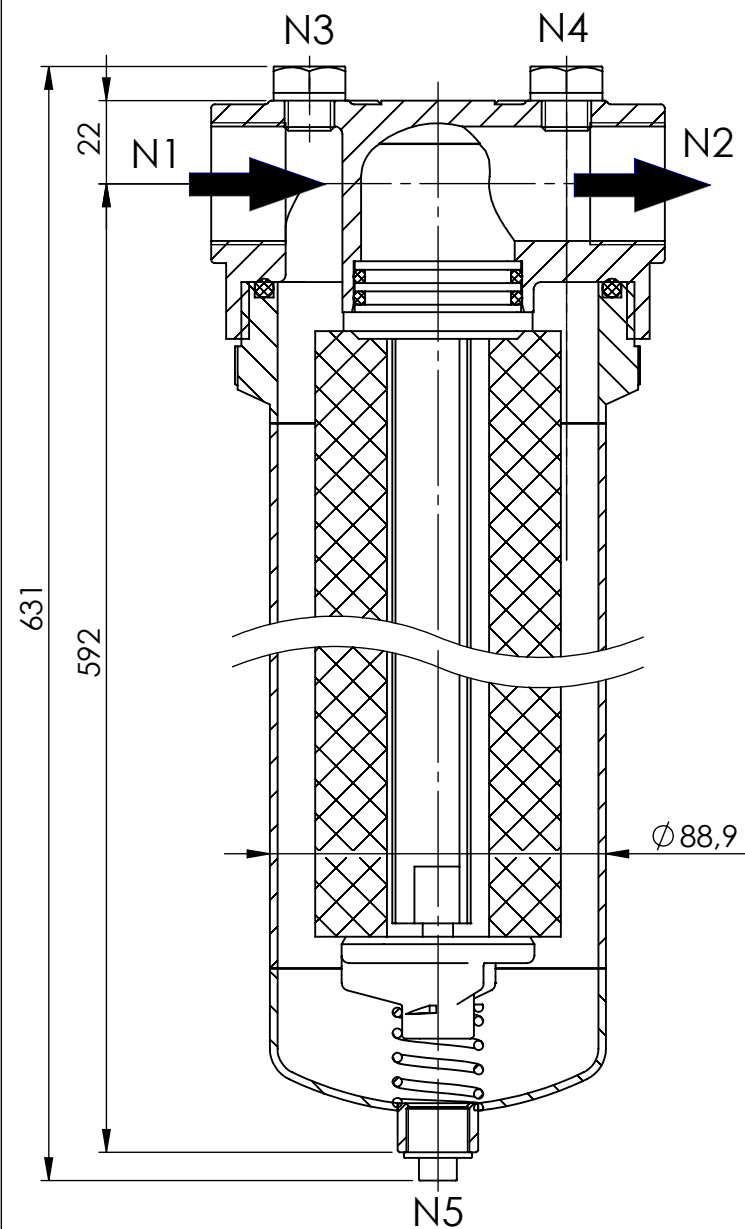


**DOE FILTER CARTRIDGE  
(DOUBLE-OPEN-END)**

**ADAPTOR FILTER CARTRIDGE  
(CODE 8)**

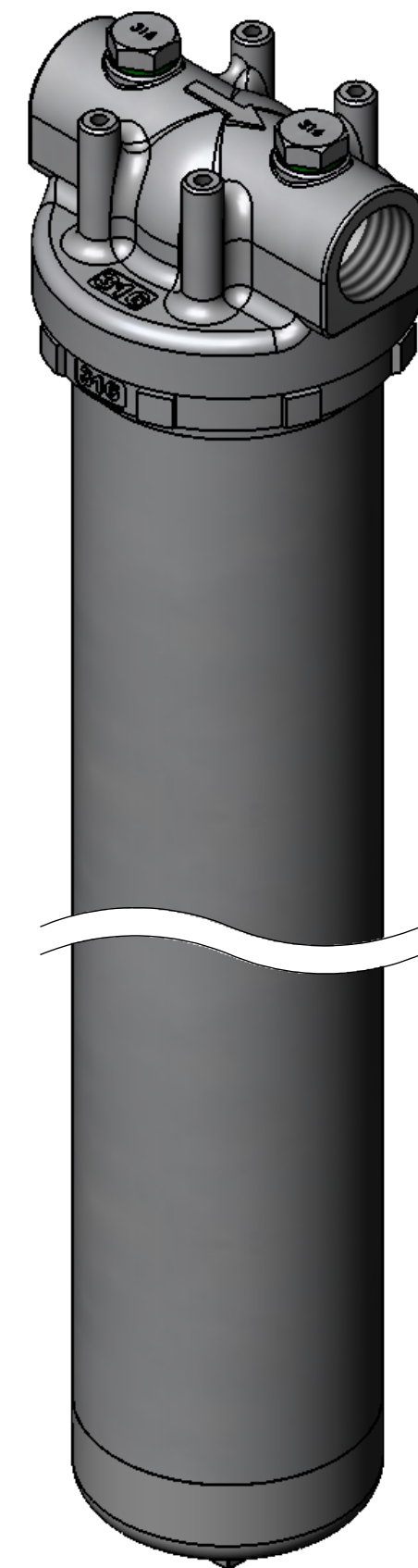


**NOZZLE INDEX**


Connection	Size	Type	DIN
N1	Rp 1	Inlet	DIN 2999
N2	Rp 1	Outlet	DIN 2999
N3	Rp 1/4	Vent	DIN 2999
N4	Rp 1/4	Vent	DIN 2999
N5	Rp 3/8	Drain	DIN 2986

**SPECIFICATION**

Max. allow. pressure	25 bar
Max. allow. temperature	-10/+80°C
Volume	3,5 l
Material Filter Head	AISI 304
Material Filter Sump	AISI 304
Material Insert	AISI 304
Material Gaskets	FPM
DOE - Cartridge Length	496 - 508 mm
Adapter Cartridges	20 inch - CODE 8
Weight	5,0 kg



analog fig.

Date	14.02.2012	Name	Brixius	Type	1FU2-25/25-A2F
Proof.					
Resp.					
Norm					
 Am Weinkastell 14 55270 Klein-Winternheim				Article-No.	1754122025
				acc. drawing: 10-1269	Repl. for.